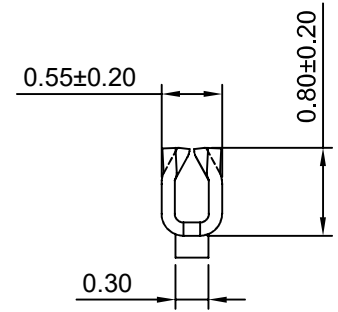
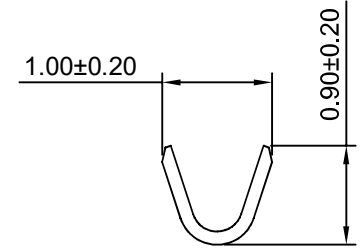
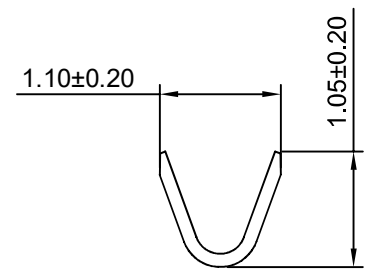
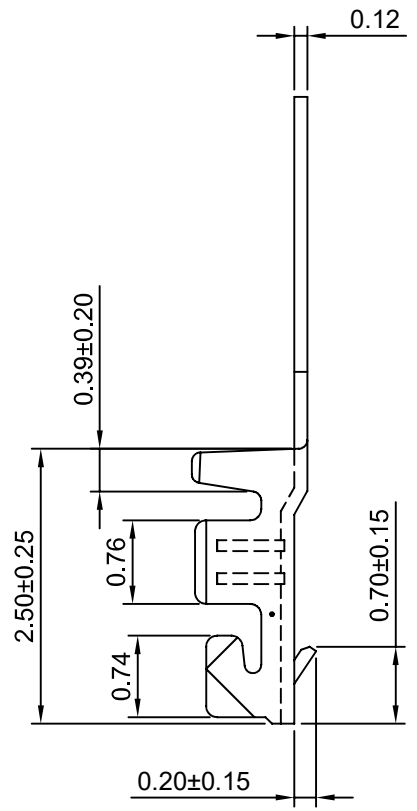
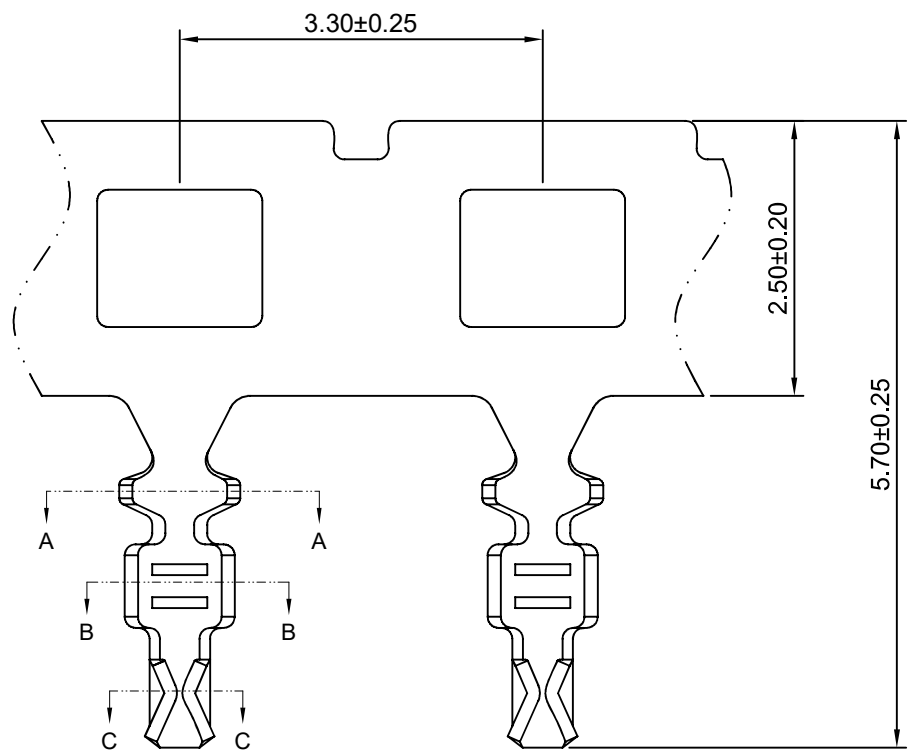


修订 REV	标记 MARK	修改摘要 REVISION DESCRIPTION	签名 SIGNATURE	日期 DATE
AO		NEW RELEASE	WANG	2014-12-10



Ordering information & Specifications

Unit:mm

Part No	Wire Range	Insultion O.D.	Material	Finish	Qty/reel
HDGC0801-TP	AWG#28-#32	0.60mm(max)	Phosphor Bronze	Tin over Nickel	45,000 PCS
HDGC0801-GP	AWG#28-#32	0.60mm(max)	Phosphor Bronze	Gold over Nickel	45,000 PCS

Optional Gold plating available but MOQ requested



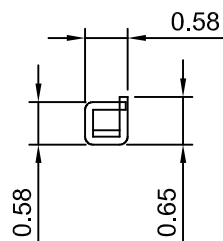
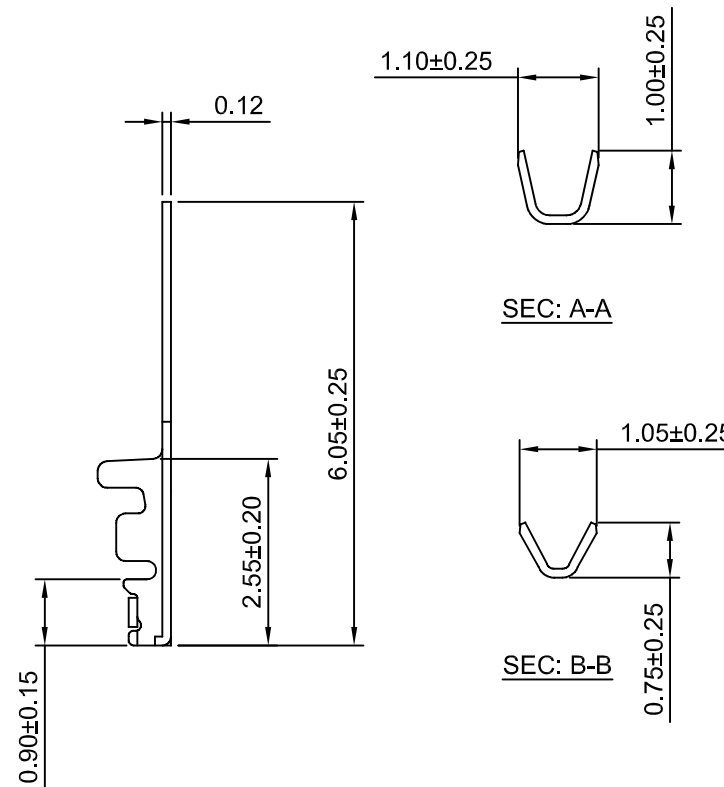
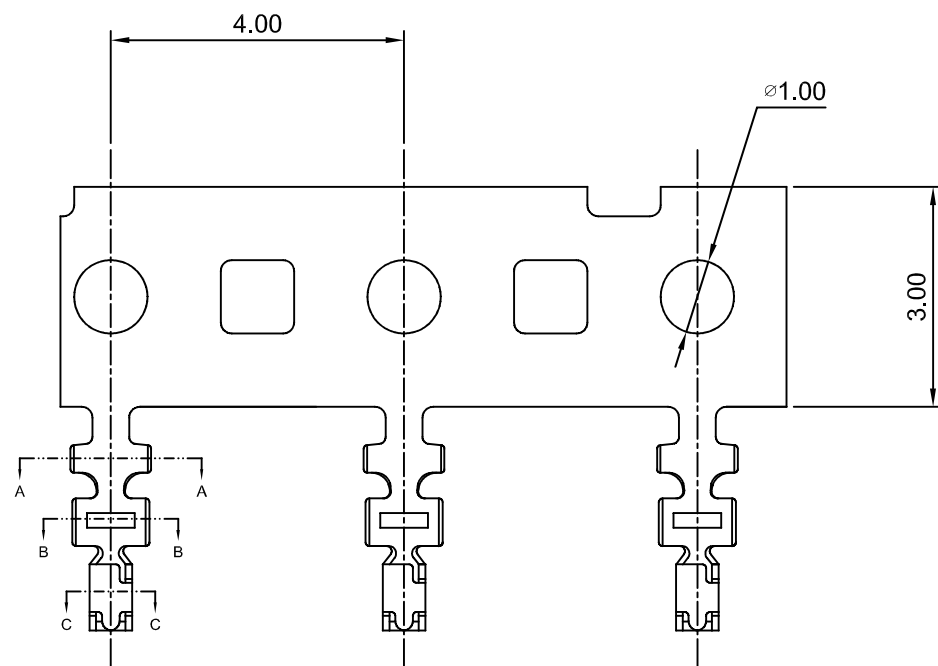
深圳市华德共创科技有限公司

Shenzhen Huade co-create Technology Co.,LTD

TEL : 0755-27129737 FAX : 0755-29940187

-TOLERANCES- UNLESS OTHERWISE SPECIFIED 公差参数表						TITLE: 0.80mm Pitch 产品名称: Crimp Terminal			
X.X	±0.30	X.X°	±3°	APPD: 核准:	XIE	PART NO: 产品编号: HDGC0801-T			
X.XX	±0.30	X.XX°	±2°	CHECK: 校对:	WANG	DATE	SCALE	UNIT	CODE NUMBER
X.XXX	±0.10	X.XXX°	±1°	DRAW: 绘图:	WANG	2014-12-10	15:1	mm	A008

修订 REV	标记 MARK	修改摘要 REVISION DESCRIPTION	签名 SIGNATURE	日期 DATE
AO		NEW RELEASE	WANG	2019-06-10



Ordering information & Specifications

Unit:mm

Part No	Wire Range	Insultion O.D.	Material	Finish	Qty/reel
HDGC0801-TP-A	AWG#28-#32	0.60mm(max)	Phosphor Bronze	Tin over Nickel	30,000 PCS
HDGC0801-GP-A	AWG#28-#32	0.60mm(max)	Phosphor Bronze	Gold over Nickel	30,000 PCS



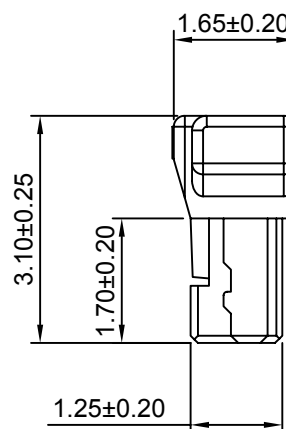
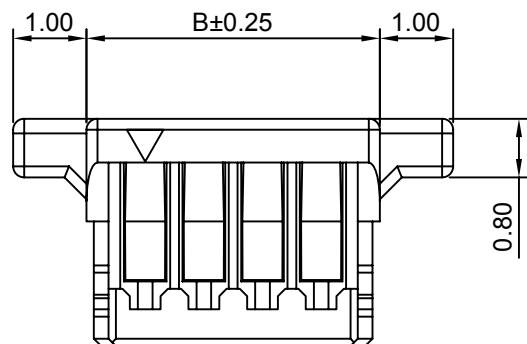
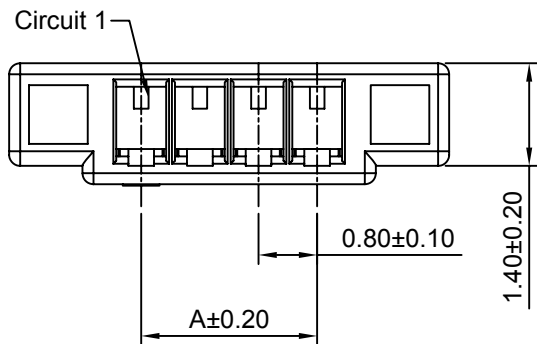
深圳市华德共创科技有限公司

Shenzhen Huade co-create Technology Co.,LTD

TEL : 0755-27129737 FAX : 0755-29940187

-TOLERANCES- UNLESS OTHERWISE SPECIFIED 公差参数表						TITLE: 0.80mm Pitch 产品名称: Crimp Terminal			
X.X	±0.30	X.X°	±3°	APPD: 核准:	XIE	PART NO: 产品编号: HDGC0801-T-A			
X.XX	±0.30	X.XX°	±2°	CHECK: 校对:	WANG	DATE	SCALE	UNIT	CODE NUMBER
X.XXX	±0.10	X.XXX°	±1°	DRAW: 绘图:	WANG	2019-06-10	10:1	mm	A008

修订 REV	标记 MARK	修改摘要 REVISION DESCRIPTION	签名 SIGNATURE	日期 DATE
AO		NEW RELEASE	WANG	2014-12-10



Ordering Information & Dimensions

Circuits	Dimensions(mm)		Circuits	Dimensions(mm)	
	A	B		A	B
2P	0.80	2.40	12P	8.80	10.40
3P	1.60	3.20	13P	9.60	11.20
4P	2.40	4.00	14P	10.40	12.00
5P	3.20	4.80	15P	11.20	12.80
6P	4.00	5.60	16P	12.00	13.60
7P	4.80	6.40	17P	12.80	14.40
8P	5.60	7.20	18P	13.60	15.20
9P	6.40	8.00	19P	14.40	16.00
10P	7.20	8.80	20P	15.20	16.80
11P	8.00	9.60			

SPECIFICATIONS:

Current Rating: 1A AC,DC
Voltage Rating: 30V AC,DC
Temperature Range: -25°C~+85°C
Contact Resistance: 30mΩ Max.
Insulation Resistance: 100MΩ Min.
Withstanding Voltage: 200V AC/minute
Material: LCP , UL94V-0(Natural)



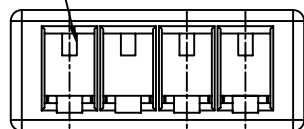
深圳市华德共创科技有限公司

Shenzhen Huade co-create Technology Co.,LTD
TEL : 0755-27129737 FAX : 0755-29940187

-TOLERANCES- UNLESS OTHERWISE SPECIFIED 公差参数表						TITLE: 产品名称 : 0.80mm Pitch Housing			
X.X	±0.30	X.X°	±3°	APPD: 核准:	XIE	PART NO: 产品编号 : HDGC0801H-XP			
X.XX	±0.30	X.XX°	±2°	CHECK: 校对:	WANG	DATE	SCALE	UNIT	CODE NUMBER
X.XXX	±0.10	X.XXX°	±1°	DRAW: 绘图:	WANG	2014-12-10	10:1	mm	A008

修订 REV	标记 MARK	修改摘要 REVISION DESCRIPTION	签名 SIGNATURE	日期 DATE
AO		NEW RELEASE	WANG	2015-03-22

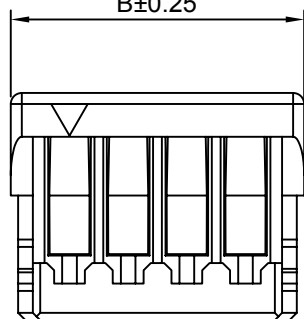
Circuit 1



0.80±0.10

A±0.20

B±0.25

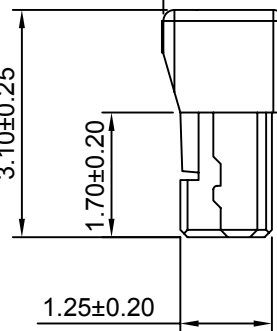


1.65±0.20

3.10±0.25

1.70±0.20

1.25±0.20



Ordering Information & Dimensions

Circuits	Dimensions(mm)		Circuits	Dimensions(mm)	
	A	B		A	B
2P	0.80	2.40	12P	8.80	10.40
3P	1.60	3.20	13P	9.60	11.20
4P	2.40	4.00	14P	10.40	12.00
5P	3.20	4.80	15P	11.20	12.80
6P	4.00	5.60	16P	12.00	13.60
7P	4.80	6.40	17P	12.80	14.40
8P	5.60	7.20	18P	13.60	15.20
9P	6.40	8.00	19P	14.40	16.00
10P	7.20	8.80	20P	15.20	16.80
11P	8.00	9.60			

SPECIFICATIONS:

Current Rating: 1A AC,DC

Voltage Rating: 30V AC,DC

Temperature Range: -25°C~+85°C

Contact Resistance: 30mΩ Max.

Insulation Resistance: 100MΩ Min.

Withstanding Voltage: 200V AC/minute

Material: LCP , UL94V-0(White)



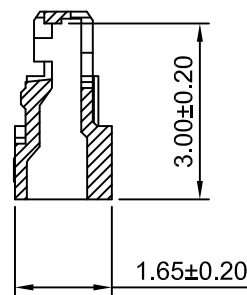
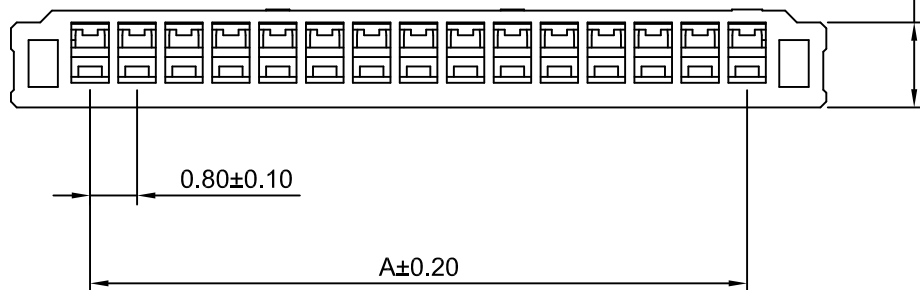
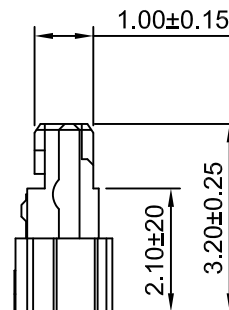
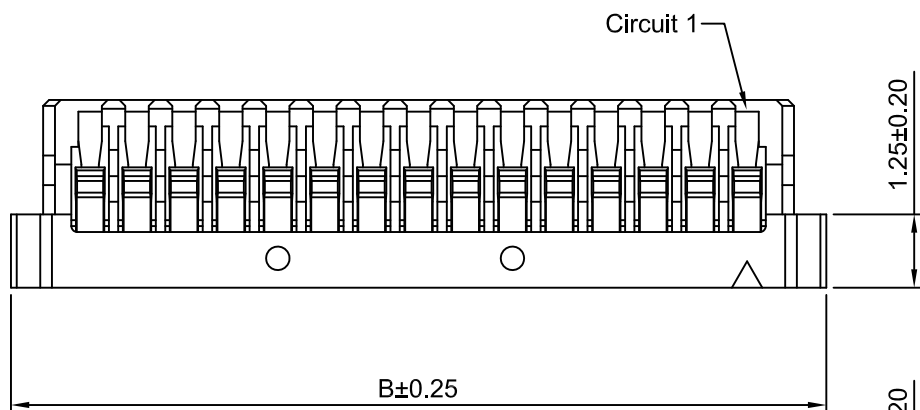
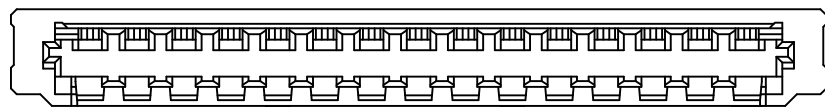
深圳市华德共创科技有限公司

Shenzhen Huade co-create Technology Co.,LTD

TEL : 0755-27129737 FAX : 0755-29940187

-TOLERANCES- UNLESS OTHERWISE SPECIFIED 公差参数表						TITLE: 产品名称 : 0.80mm Pitch Housing			
X.X	±0.30	X.X°	±3°	APPD: 核准:	XIE	PART NO: 产品编号 : HDGC0801H-XP-2			
X.XX	±0.30	X.XX°	±2°	CHECK: 校对:	WANG	DATE	SCALE	UNIT	CODE NUMBER
X.XXX	±0.10	X.XXX°	±1°	DRAW: 绘图:	WANG	2015-03-22	10:1	mm	A008

修订 REV	标记 MARK	修改摘要 REVISION DESCRIPTION	签名 SIGNATURE	日期 DATE
AO		NEW RELEASE	WANG	2019-06-10



Ordering Information & Dimensions

Circuits	Dimensions(mm)		Circuits	Dimensions(mm)	
	A	B		A	B
2P	0.80	3.50	12P	8.80	11.50
3P	1.60	4.30	13P	9.60	12.30
4P	2.40	5.10	14P	10.40	13.10
5P	3.20	5.90	15P	11.20	13.90
6P	4.00	6.70	16P	12.00	14.70
7P	4.80	7.50	17P	12.80	15.50
8P	5.60	8.30	18P	13.60	16.30
9P	6.40	9.10	19P	14.40	17.10
10P	7.20	9.90	20P	15.20	17.90
11P	8.00	10.70			

SPECIFICATIONS:

Current Rating: 1A AC,DC
Voltage Rating: 30V AC,DC
Temperature Range: -25°C~+85°C
Contact Resistance: 30mΩ Max.
Insulation Resistance: 100MΩ Min.
Withstanding Voltage: 200V AC/minute
Material: LCP, UL94V-0(Natural)



深圳市华德共创科技有限公司

Shenzhen Huade co-create Technology Co.,LTD
TEL : 0755-27129737 FAX : 0755-29940187

-TOLERANCES- UNLESS OTHERWISE SPECIFIED 公差参数表						TITLE: 产品名称: 0.80mm Pitch Housing			
X.X	±0.30	X.X°	±3°	APPD: 核准:	XIE	PART NO: 产品编号: HDGC0801HA-XP			
X.XX	±0.30	X.XX°	±2°	CHECK: 校对:	WANG	DATE	SCALE	UNIT	CODE NUMBER
X.XXX	±0.10	X.XXX°	±1°	DRAW: 绘图:	WANG	2019-06-10	10:1	mm	A008