

修订 REV	标记 MARK	修改摘要 REVISION DESCRIPTION	签名 SIGNATURE	日期 DATE
AO		NEW RELEASE	WANG	2017-08-23

Ordering Information:

HDGC10001WVA-XP - * - ****
1 2 3

1.Part No.

2.Finish:

(Blank):Tin over Nickel (Ni:50u" /Tin:100u")

G:Gold over Nickel(Au:30u" /Ni:50u" /Tin:100u")

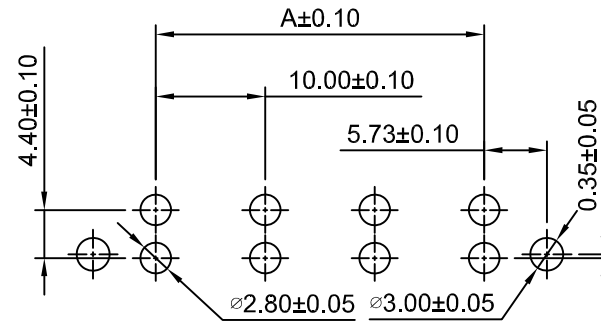
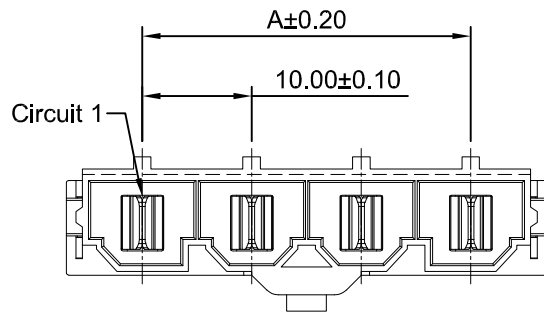
3.Size C:

(Blank):1.80mm(P.C.B Board thickness:1.57mm)

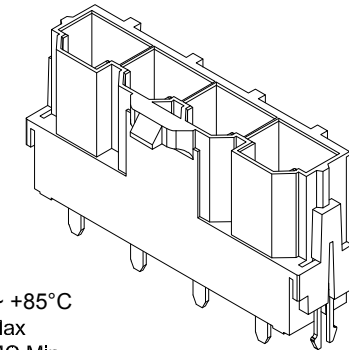
C260:2.60mm(P.C.B Board thickness:2.36mm)

C340:3.40mm(P.C.B Board thickness:3.18mm)

C658:6.58mm(P.C.B Board thickness:6.35mm)



P.C.B LAYOUT



SPECIFICATIONS:

Current Rating: 50A AC,DC

Voltage Rating: 600V AC,DC

Temperature Range: -25°C ~ +85°C

Contact Resistance: 10mΩ Max

Insulation Resistance: 1000MΩ Min

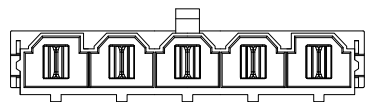
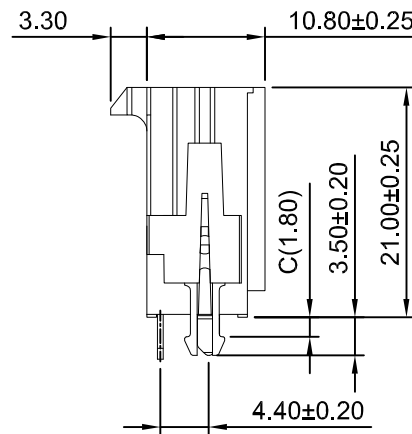
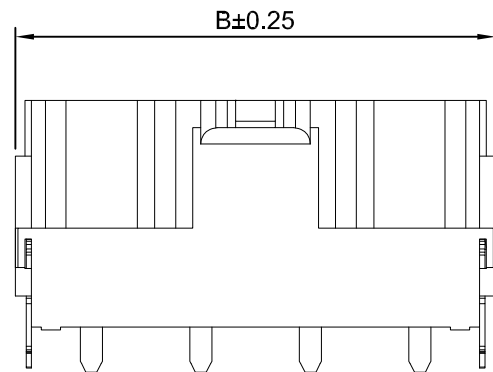
Withstanding Voltage: 1500V AC/minute

Pin Material: Phosphor Bronze/Tin over Nickel

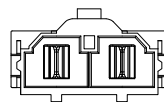
Material: Nylon 46+30%GF,UL94V-0(Black)

Ordering Information & Dimensions

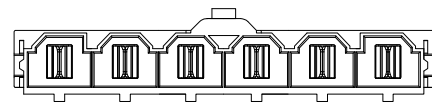
Circuits	Dimensions(mm)		Circuits	Dimensions(mm)	
	A	B		A	B
2P	10.00	23.82	5P	40.00	53.82
3P	20.00	33.82	6P	50.00	63.82
4P	30.00	43.82			



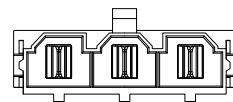
5P



2P



6P



3P



深圳市华德共创科技有限公司

SHENZHEN HUADE CO-CREATE TECHNOLOGY CO.,LTD

TEL : 0755-27129737 FAX : 0755-29940187

-TOLERANCES- UNLESS OTHERWISE SPECIFIED 公差参数表						TITLE: 10.00mm Pitch 产品名称: 180° Wafer			
X.X	±0.30	X.X°	±3°	APPD: 核准:	XIE	PART NO: 产品编号: HDGC10001WVA-XP			
X.XX	±0.30	X.XX°	±2°	CHECK: 校对:	WANG	DATE	SCALE	UNIT	CODE NUMBER
X.XXX	±0.10	X.XXX°	±1°	DRAW: 绘图:	WANG	2017-08-23	1.5:1	mm	A008

修订 REV	标记 MARK	修改摘要 REVISION DESCRIPTION	签名 SIGNATURE	日期 DATE
AO		NEW RELEASE	WANG	2017-08-23

Ordering Information:

HDGC10001WRA-XP - * - ***
1 2 3

1.Part No.

2.Finish:

(Blank):Tin over Nickel (Ni:50u" /Tin:100u")

G:Gold over Nickel(Au:30u" /Ni:50u" /Tin:100u")

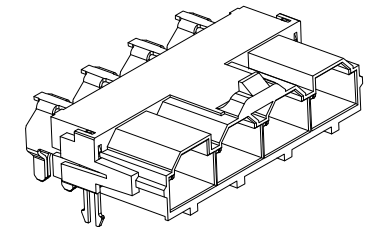
3.Size C:

(Blank):1.80mm(P.C.B Board thickness:1.57mm)

C260:2.60mm(P.C.B Board thickness:2.36mm)

C340:3.40mm(P.C.B Board thickness:3.18mm)

C658:6.58mm(P.C.B Board thickness:6.35mm)



SPECIFICATIONS:

Current Rating: 50A AC,DC

Voltage Rating: 600V AC,DC

Temperature Range: -25°C ~ +85°C

Contact Resistance: 10mΩ Max

Insulation Resistance: 1000MΩ Min

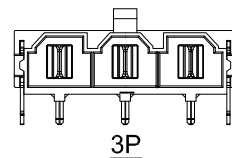
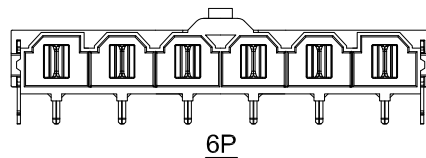
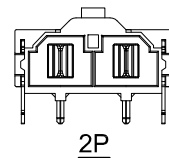
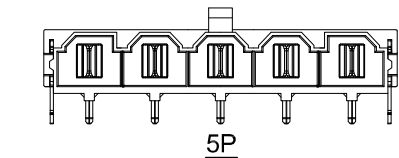
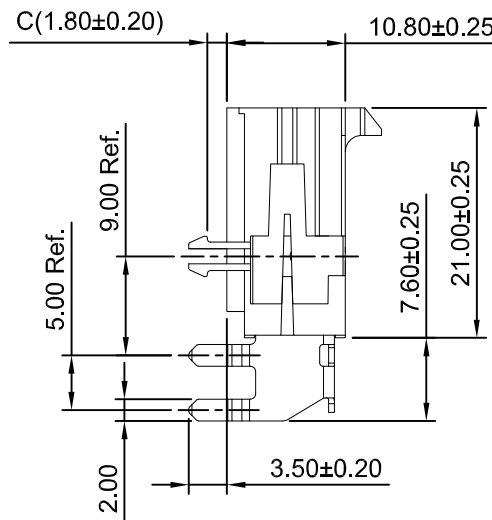
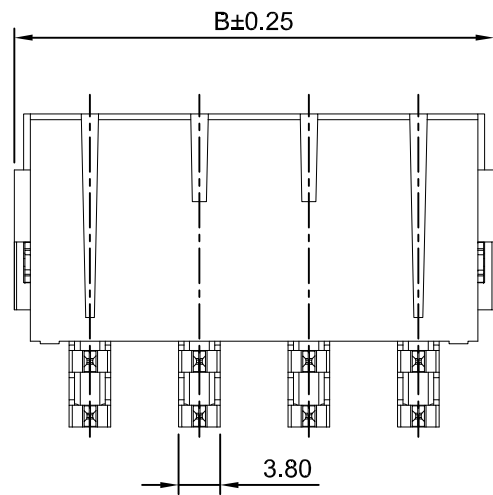
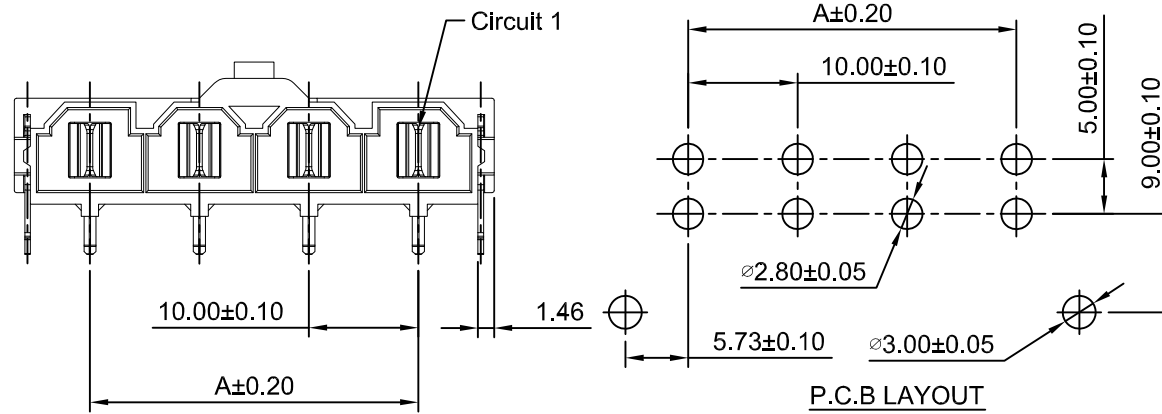
Withstanding Voltage: 1500V AC/minute

Pin Material: Phosphor Bronze/Tin over Nickel

Material: Nylon 46+30%GF, UL94V-0(Black)

Ordering Information & Dimensions

Circuits	Dimensions(mm)		Circuits	Dimensions(mm)	
	A	B		A	B
2P	10.00	23.82	5P	40.00	53.82
3P	20.00	33.82	6P	50.00	63.82
4P	30.00	43.82			



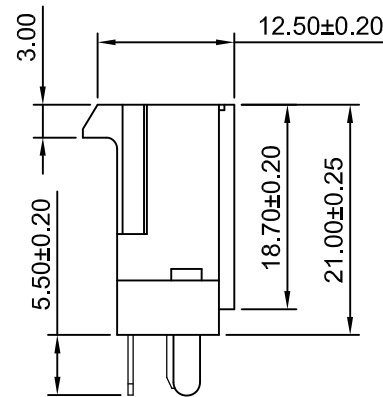
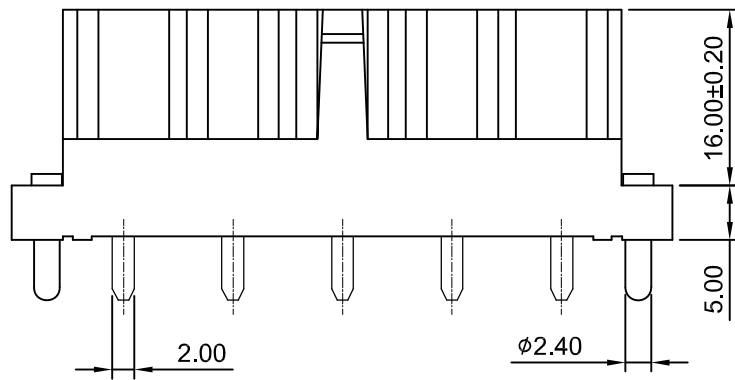
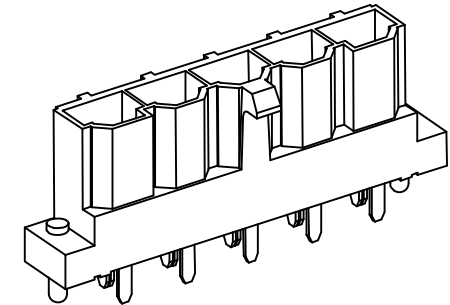
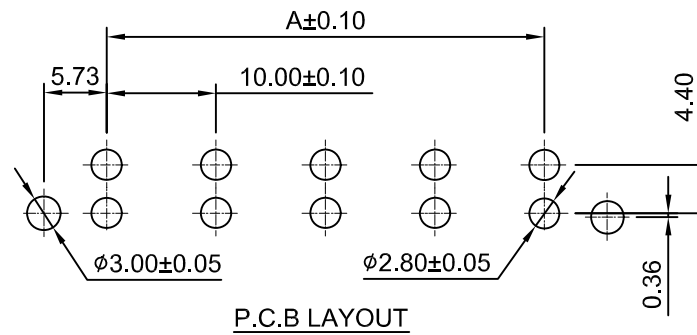
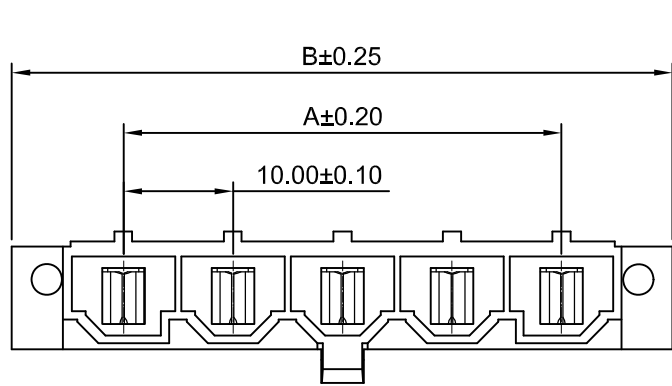
深圳市华德共创科技有限公司

SHENZHEN HUADE CO-CREATE TECHNOLOGY CO.,LTD

TEL : 0755-27129737 FAX : 0755-29940187

-TOLERANCES- UNLESS OTHERWISE SPECIFIED 公差参数表				TITLE: 产品名称: 10.00mm Pitch 90° Wafer	
X.X	±0.30	X.X°	±3°	APPD: 核准:	XIE
X.XX	±0.30	X.XX°	±2°	CHECK: 校对:	WANG
X.XXX	±0.10	X.XXX°	±1°	DRAW: 绘图:	WANG
PART NO: 产品编号:			HDGC10001WRA-XP		
DATE	SCALE	UNIT	CODE NUMBER		
2017-08-23	1.5:1	mm	A008		

修订 REV	标记 MARK	修改摘要 REVISION DESCRIPTION	签名 SIGNATURE	日期 DATE
AO		NEW RELEASE	WANG	2017-08-23

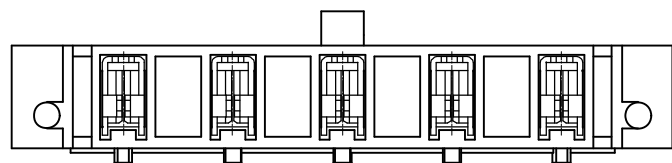


SPECIFICATIONS:

Current Rating: 50A AC,DC
Voltage Rating: 600V AC,DC
Temperature Range: -25°C ~ +85°C
Contact Resistance: 10mΩ Max
Insulation Resistance: 1000MΩ Min
Withstanding Voltage: 5000V AC/minute
Material: PBT,UL94V-0(Black)
Pin Material: Brass/Tin over Nickel

Ordering Information & Dimensions

Circuits	Dimensions(mm)		Circuits	Dimensions(mm)	
	A	B		A	B
2P	10.00	30.30	5P	40.00	60.30
3P	20.00	40.30	6P	50.00	70.30
4P	30.00	50.30			



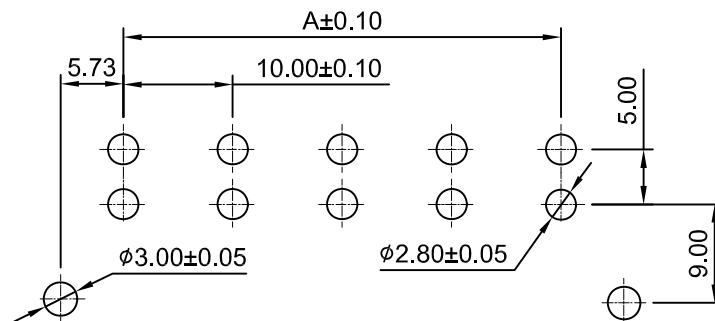
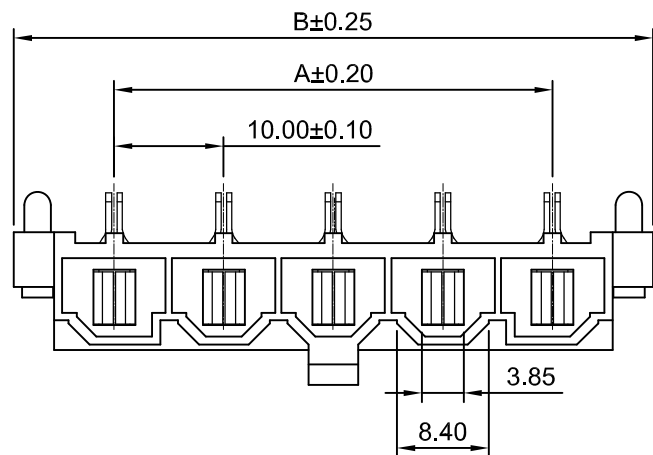
深圳市华德共创科技有限公司

SHENZHEN HUADE CO-CREATE TECHNOLOGY CO.,LTD

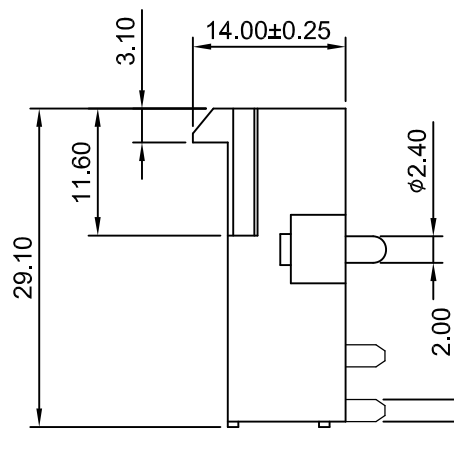
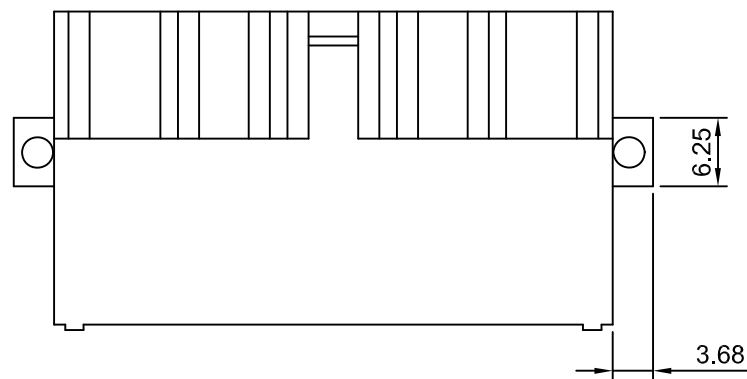
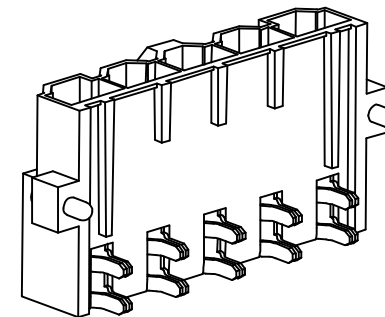
TEL : 0755-27129737 FAX : 0755-29940187

-TOLERANCES- UNLESS OTHERWISE SPECIFIED 公差参数表						TITLE: 10.00mm Pitch 产品名称: 180° Wafer			
X.X	±0.30	X.X°	±3°	APPD: 核准:	XIE	PART NO: 产品编号: HDGC10001WVA-XP-S			
X.XX	±0.30	X.XX°	±2°	CHECK: 校对:	WANG	DATE	SCALE	UNIT	CODE NUMBER
X.XXX	±0.10	X.XXX°	±1°	DRAW: 绘图:	WANG	2017-08-23	1.5:1	mm	A008

修订 REV	标记 MARK	修改摘要 REVISION DESCRIPTION	签名 SIGNATURE	日期 DATE
AO		NEW RELEASE	WANG	2017-08-23



P.C.B LAYOUT

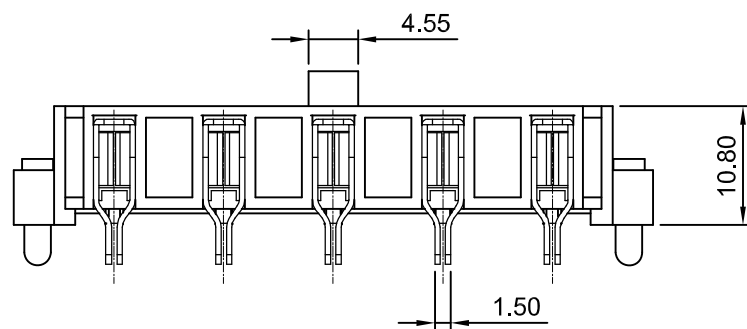


SPECIFICATIONS:

Current Rating: 50A AC,DC
Voltage Rating: 600V AC,DC
Temperature Range: -25°C ~ +85°C
Contact Resistance: 1.5mΩ Max
Insulation Resistance: 1000MΩ Min
Withstanding Voltage: 2200V AC/minute
Material: PBT,UL94V-0(Black)
Pin Material: Pure copper/Tin over Nickel

Ordering Information & Dimensions

Circuits	Dimensions(mm)		Circuits	Dimensions(mm)	
	A	B		A	B
2P	10.00	30.30	5P	40.00	60.30
3P	20.00	40.30	6P	50.00	70.30
4P	30.00	50.30			



深圳市华德共创科技有限公司
SHENZHEN HUADE CO-CREATE TECHNOLOGY CO.,LTD
TEL : 0755-27129737 FAX : 0755-29940187

-TOLERANCES- UNLESS OTHERWISE SPECIFIED 公差参数表					TITLE: 10.00mm Pitch 产品名称: 180° Wafer					
X.X	±0.30	X.X°	±3°	APPD: 核准:	XIE		PART NO: 产品编号: HDGC10001WVA-XP-S			
X.XX	±0.30	X.XX°	±2°	CHECK: 校对:	WANG		DATE	SCALE	UNIT	CODE NUMBER
X.XXX	±0.10	X.XXX°	±1°	DRAW: 绘图:	WANG		2017-08-23	1.5:1	mm	A008