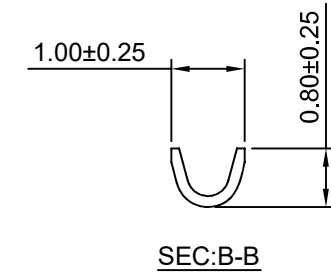
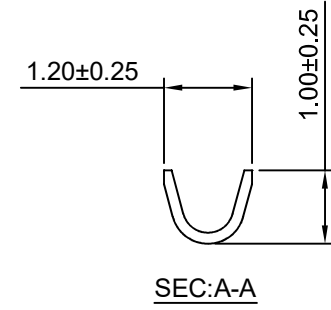
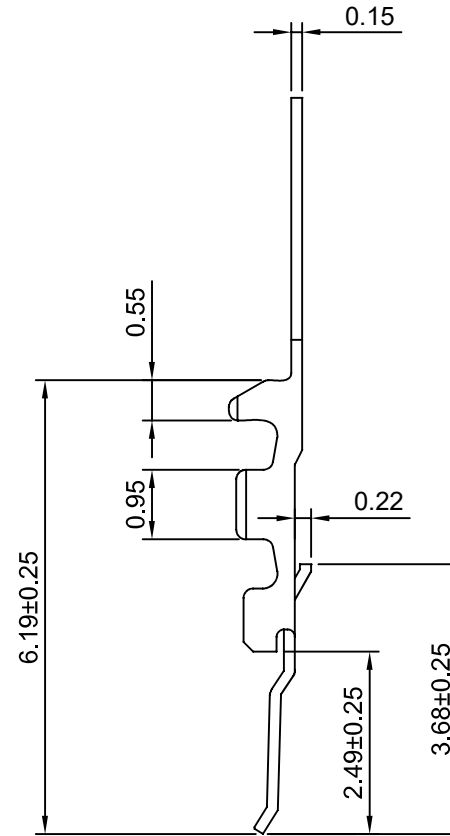
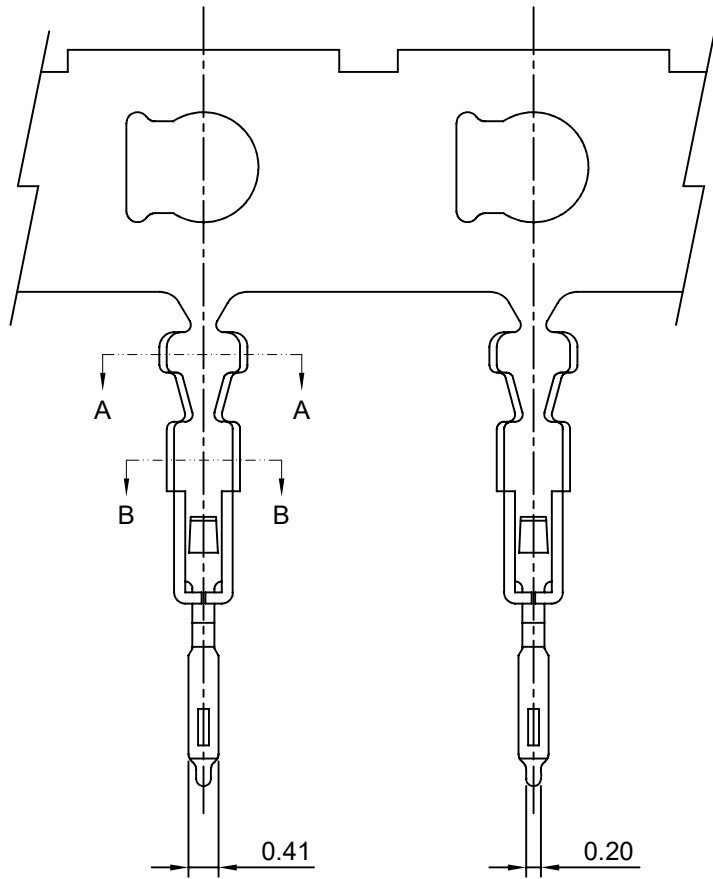


修订 REV	标记 MARK	修改摘要 REVISION DESCRIPTION	签名 SIGNATURE	日期 DATE
AO		NEW RELEASE	WANG	2015-05-10



Ordering information & Specifications

Unit:mm

Part No	Wire Range	Insultion O.D.	Material	Finish	Qty/reel
HDGC1001-TP	AWG#28-#36	0.50mm(max)	Phosphor Bronze	Tin over Nickel	15,000 PCS
HDGC1001-GP	AWG#28-#36	0.50mm(max)	Phosphor Bronze	Gold over Nickel	15,000 PCS

Optional Gold plating available but MOQ requested



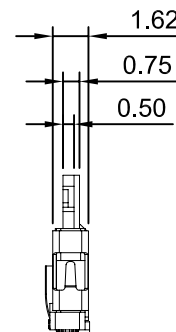
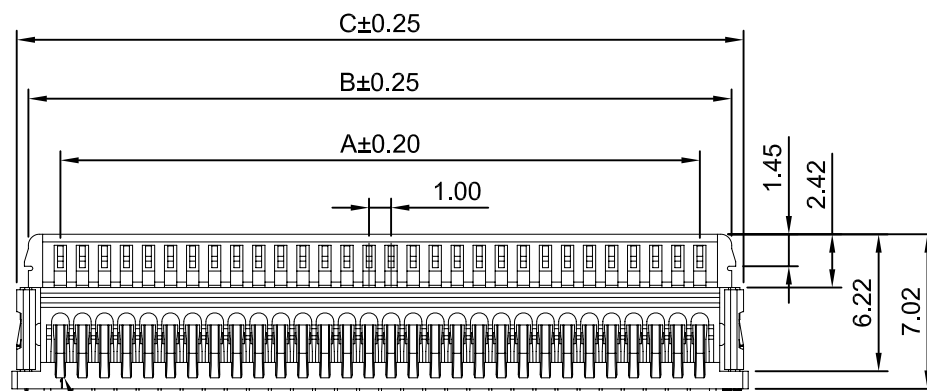
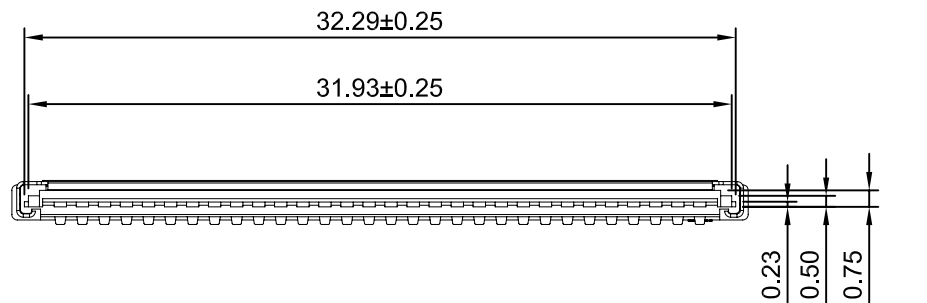
深圳市华德共创科技有限公司

Shenzhen Huade co-create Technology Co.,LTD

TEL : 0755-27129737 FAX : 0755-29940187

-TOLERANCES- UNLESS OTHERWISE SPECIFIED 公差参数表					TITLE: 1.00mm Pitch 产品名称: Crimp Terminal			
X.X	±0.30	X.X°	±3°	APPD: 核准: XIE	PART NO: 产品编号: HDGC1001-T			
X.XX	±0.30	X.XX°	±2°	CHECK: 校对: WANG	DATE	SCALE	UNIT	CODE NUMBER
X.XXX	±0.10	X.XXX°	±1°	DRAW: 绘图: WANG	2015-05-10	10:1	mm	A008

修订 REV	标记 MARK	修改摘要 REVISION DESCRIPTION	签名 SIGNATURE	日期 DATE
AO		NEW RELEASE	WANG	2015-05-10



Ordering Information & Dimensions

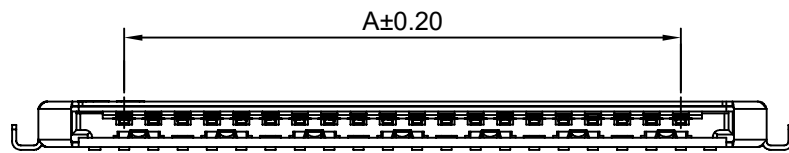
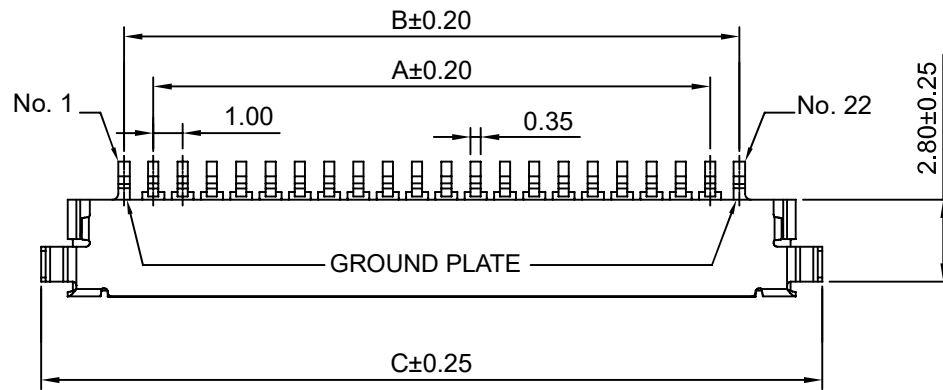
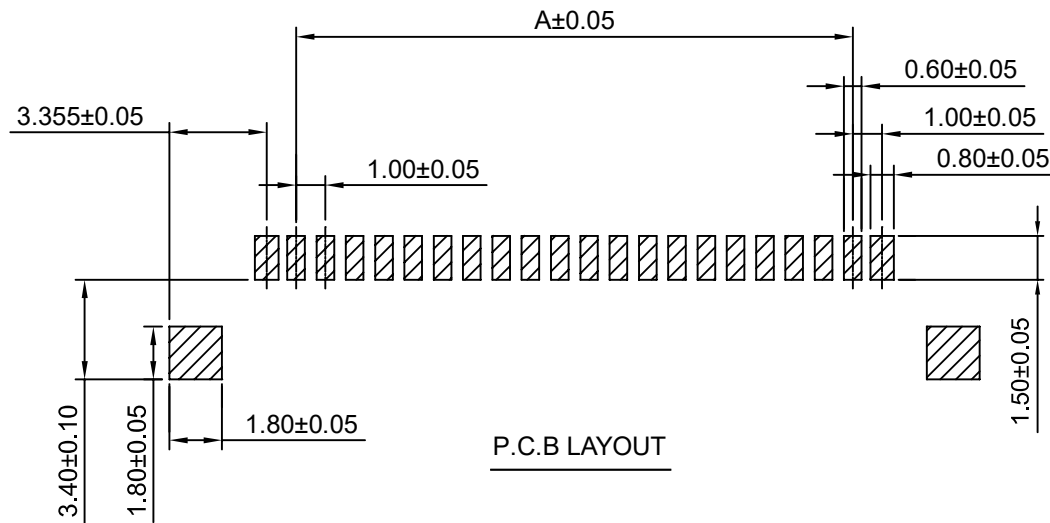
Circuits	Dimensions(mm)		
	A	B	C
20P	19.00	21.88	23.28
30P	29.00	31.88	33.28

SPECIFICATIONS:

Current rating: 1A AC,DC
 Voltage rating: 200V AC,DC
 Temperature range: -25°C~+85°C
 Contact resistance: 40mΩ Max.
 Insulation resistance: 100MΩ Min.
 Withstanding voltage: 500V AC/minute
 Material: Nylon 46,UL94V-0(Ivory)
 Insertion and extraction force: 0.50kg Min

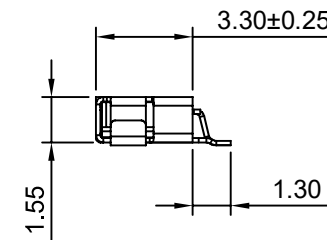
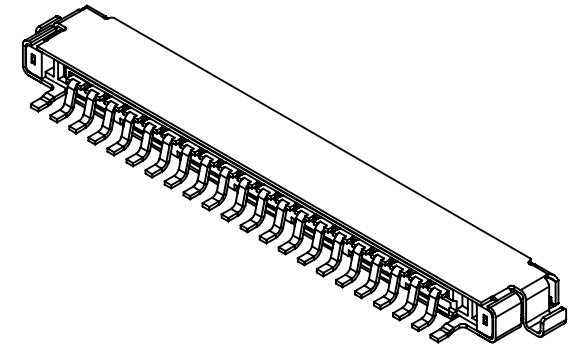
		深圳市华德共创科技有限公司 Shenzhen Huade co-create Technology Co.,LTD TEL : 0755-27129737 FAX : 0755-29940187						
-TOLERANCES- UNLESS OTHERWISE SPECIFIED 公差参数表				TITLE: 产品名称: 1.00mm Pitch Housing				
X.X	±0.30	X.X°	±3°	APPD: 核准: XIE	PART NO: 产品编号: HDGC1001H-XP			
X.XX	±0.30	X.XX°	±2°	CHECK: 校对: WANG	DATE	SCALE	UNIT	CODE NUMBER
X.XXX	±0.10	X.XXX°	±1°	DRAW: 绘图: WANG	2015-05-10	3:1	mm	A008

修订 REV	标记 MARK	修改摘要 REVISION DESCRIPTION	签名 SIGNATURE	日期 DATE
AO		NEW RELEASE	WANG	2015-05-10



SPECIFICATIONS:

Current rating: 1A AC,DC
Voltage rating: 200V AC,DC
Temperature range: -25°C~+85°C
Contact resistance: 40mΩ Max.
Insulation resistance: 100MΩ Min.
Withstanding voltage: 500V AC/minute
Wafer: LCP,UL94V-0(Black)
Shell: Phosphor Bronze/Nickel-plated



Ordering Information & Dimensions

Circuits	Dimensions(mm)		
	A	B	C
20P	19.00	21.00	26.65
30P	29.00	31.00	36.65

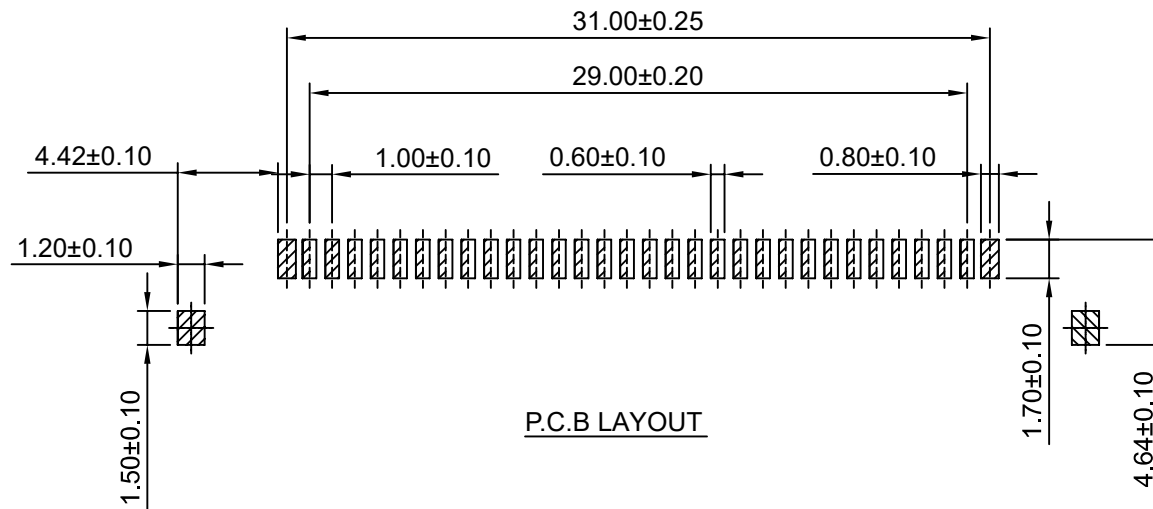


深圳市华德共创科技有限公司

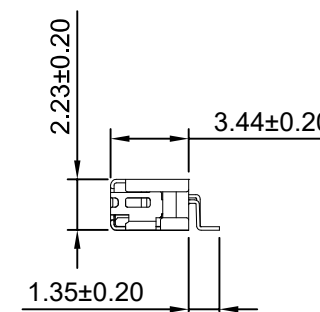
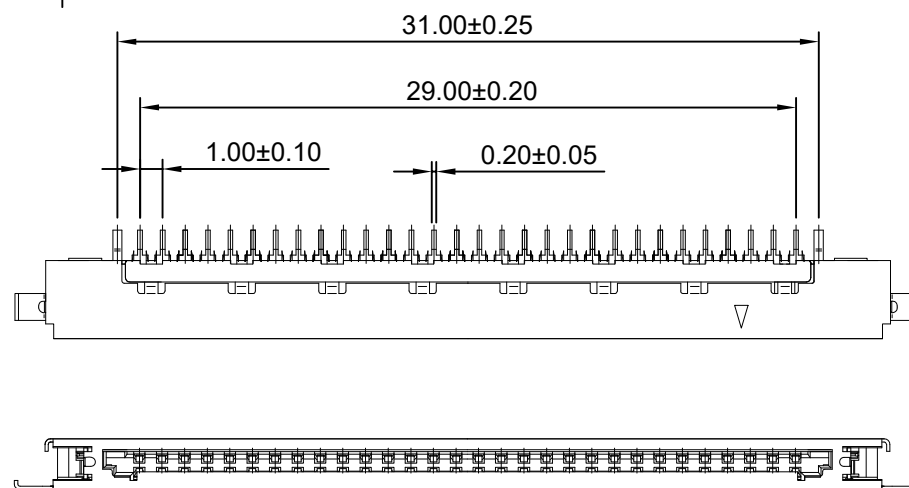
Shenzhen Huade co-create Technology Co.,LTD
TEL : 0755-27129737 FAX : 0755-29940187

-TOLERANCES- UNLESS OTHERWISE SPECIFIED 公差参数表						TITLE: 1.00mm Pitch 产品名称: 90° Wafer			
X.X	±0.30	X.X°	±3°	APPD: 核准:	XIE	PART NO: 产品编号: HDGC1001WR-S-XP			
X.XX	±0.30	X.XX°	±2°	CHECK: 校对:	WANG	DATE	SCALE	UNIT	CODE NUMBER
X.XXX	±0.10	X.XXX°	±1°	DRAW: 绘图:	WANG	2015-05-10	4:1	mm	A008

修订 REV	标记 MARK	修改摘要 REVISION DESCRIPTION	签名 SIGNATURE	日期 DATE
AO		NEW RELEASE	WANG	2015-05-10



P.C.B LAYOUT



SPECIFICATIONS:

Current rating: 1A AC,DC
Voltage rating: 200V AC,DC
Temperature range: -25°C ~ +80°C
Contact resistance: 40mΩ Max.
Insulation resistance: 100MΩ Min.
Withstanding voltage: 500V AC/minute
Wafer: LCP,UL94V-0(Black)
Shell: Phosphor Bronze/Nickel-plated



深圳市华德共创科技有限公司

Shenzhen Huade co-create Technology Co.,LTD

TEL : 0755-27129737 FAX : 0755-29940187

-TOLERANCES- UNLESS OTHERWISE SPECIFIED 公差参数表						TITLE: 1.00mm Pitch 产品名称: 90° Wafer			
X.X	±0.30	X.X°	±3°	APPD: 核准:	XIE	PART NO: 产品编号: HDGC1001WRA-S-30P			
X.XX	±0.30	X.XX°	±2°	CHECK: 校对:	WANG	DATE	SCALE	UNIT	CODE NUMBER
X.XXX	±0.10	X.XXX°	±1°	DRAW: 绘图:	WANG	2015-05-10	3:1	mm	A008