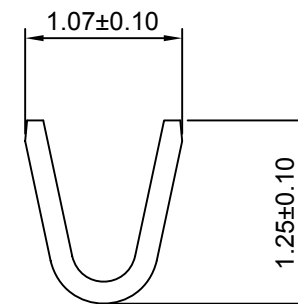
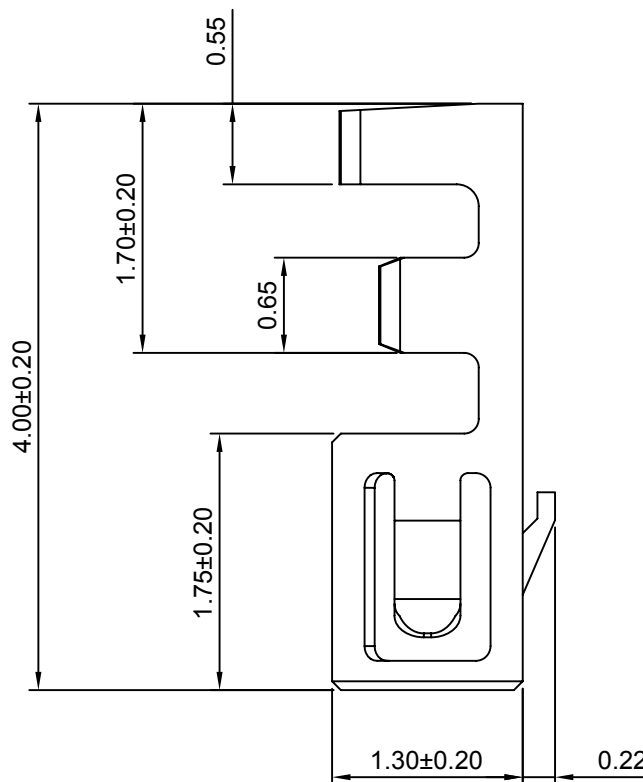
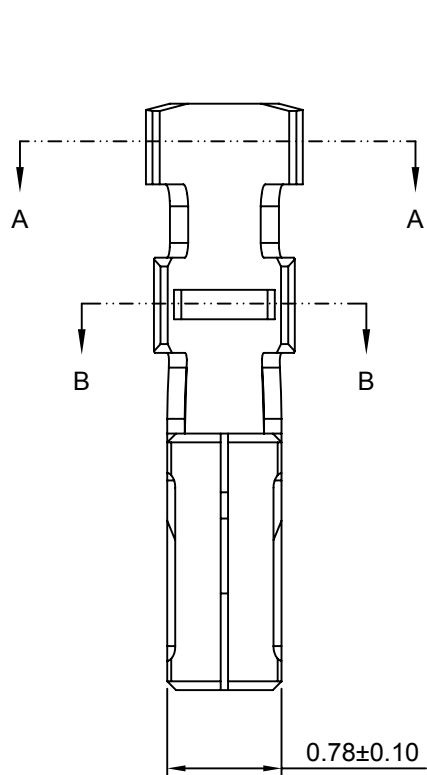
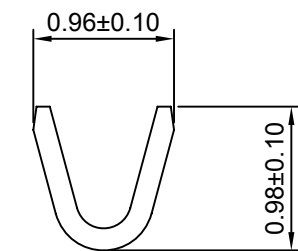


修订 REV	标记 MARK	修改摘要 REVISION DESCRIPTION	签名 SIGNATURE	日期 DATE
AO		NEW RELEASE	WANG	2012-01-16



SEC: A-A



SEC: B-B

Ordering information & Specifications

Unit:mm

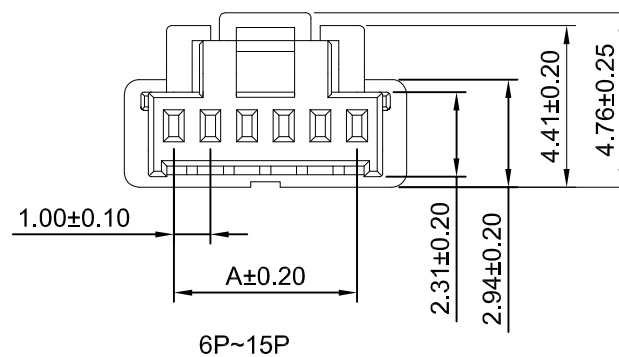
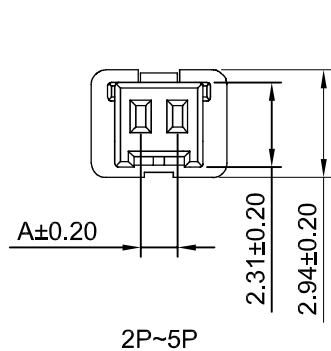
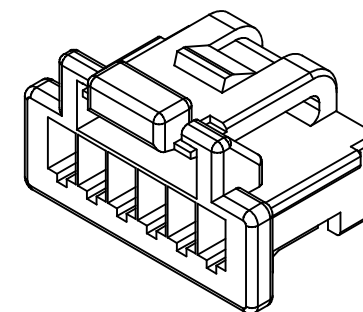
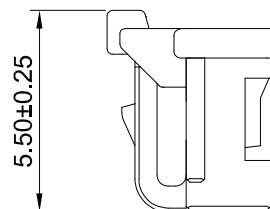
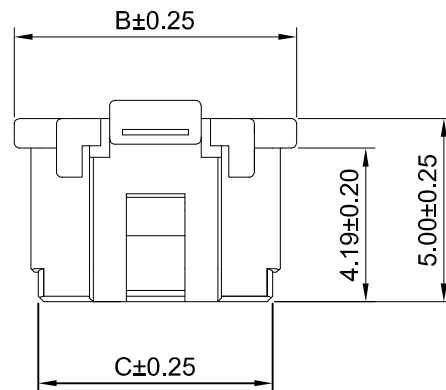
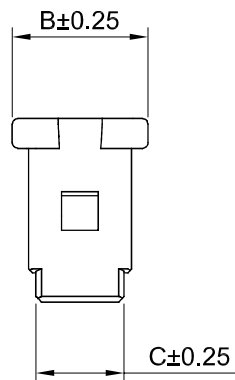
Part No	Wire Range	Insultion O.D.	Material	Finish	Qty/reel
HDGC1008-TP	AWG#28-#32	0.80mm(max)	Phosphor Bronze	Tin over Nickel	15,000 PCS
HDGC1008-GP	AWG#28-#32	0.80mm(max)	Phosphor Bronze	Gold over Nickel	15,000 PCS

Optional Gold plating available but MOQ requested

**HDGC** 深圳市华德共创科技有限公司  
 Shenzhen Huade co-create Technology Co.,LTD  
 TEL : 0755-27129737 FAX : 0755-29940187

-TOLERANCES- UNLESS OTHERWISE SPECIFIED 公差参数表						TITLE: 1.00mm Pitch 产品名称: Crimp Terminal			
X.X	$\pm 0.30$	X.X°	$\pm 3^\circ$	APPD: 核准:	XIE	PART NO: 产品编号: HDGC1008-T			
X.XX	$\pm 0.30$	X.XX°	$\pm 2^\circ$	CHECK: 校对:	WANG	DATE	SCALE	UNIT	CODE NUMBER
X.XXX	$\pm 0.10$	X.XXX°	$\pm 1^\circ$	DRAW: 绘图:	WANG	2012-01-16	20:1	mm	A008

修订 REV	标记 MARK	修改摘要 REVISION DESCRIPTION	签名 SIGNATURE	日期 DATE
AO		NEW RELEASE	WANG	2012-01-16



Ordering Information & Dimensions

Circuits	Dimensions(mm)			Circuits	Dimensions(mm)		
	A	B	C		A	B	C
2P	1.00	3.70	2.40	9P	8.00	10.70	9.40
3P	2.00	4.70	3.40	10P	9.00	11.70	10.40
4P	3.00	5.70	4.40	11P	10.00	12.70	11.40
5P	4.00	6.70	5.40	12P	11.00	13.70	12.40
6P	5.00	7.70	6.40	13P	12.00	14.70	13.40
7P	6.00	8.70	7.40	14P	13.00	15.70	14.40
8P	7.00	9.70	8.40	15P	14.00	16.70	15.40

**SPECIFICATIONS:**

Current rating: 1A AC,DC  
Voltage rating: 100V AC,DC  
Temperature range: -25°C ~ +85°C  
Contact resistance: 30mΩ Max.  
Insulation resistance: 500MΩ Min.  
Withstanding voltage: 500V AC/minute  
Material: Nylon 66,UL94V-0(White)



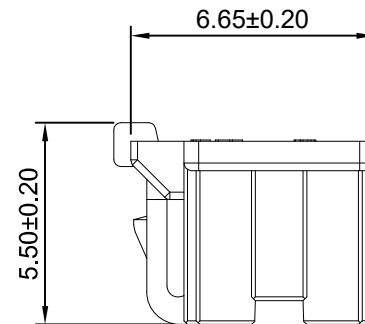
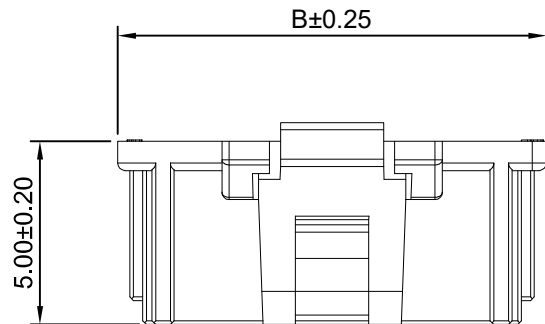
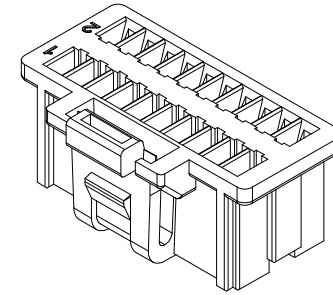
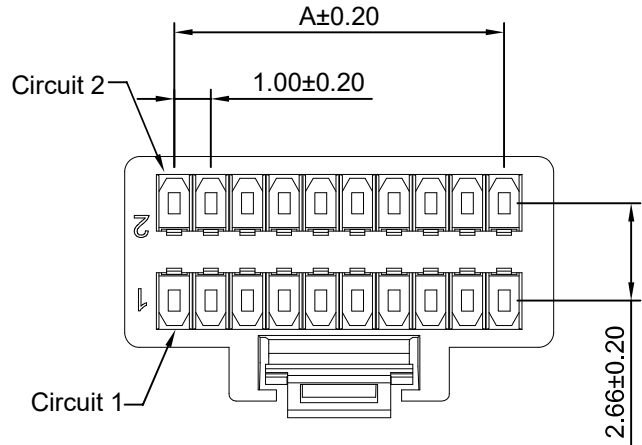
深圳市华德共创科技有限公司

Shenzhen Huade co-create Technology Co.,LTD

TEL : 0755-27129737 FAX : 0755-29940187

-TOLERANCES- UNLESS OTHERWISE SPECIFIED 公差参数表						TITLE: 产品名称: 1.00mm Pitch Housing			
X.X	±0.30	X.X°	±3°	APPD: 核准:	XIE	PART NO: 产品编号: HDGC1008H-XP			
X.XX	±0.30	X.XX°	±2°	CHECK: 校对:	WANG	DATE	SCALE	UNIT	CODE NUMBER
X.XXX	±0.10	X.XXX°	±1°	DRAW: 绘图:	WANG	2012-01-16	5:1	mm	A008

修订 REV	标记 MARK	修改摘要 REVISION DESCRIPTION	签名 SIGNATURE	日期 DATE
AO		NEW RELEASE	WANG	2012-01-16



Ordering Information & Dimensions

Circuits	Dimensions(mm)		Circuits	Dimensions(mm)	
	A	B		A	B
2x10P	9.00	11.70	2x20P	19.00	21.70
2x15P	14.00	16.70	2x25P	24.00	26.70
2x16P	15.00	17.70			

**SPECIFICATIONS:**

Current Rating: 0.8A AC,DC

Voltage Rating: 50V AC,DC

Temperature Range: -25°C ~ +85°C

Contact Resistance: 20mΩ Max.

Insulation Resistance: 100MΩ Min.

Withstanding Voltage: 250V AC/minute

Material:Nylon66 UL94V-0(White)



深圳市华德共创科技有限公司

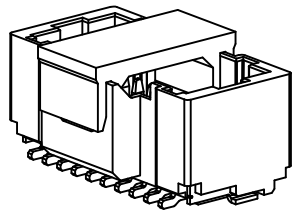
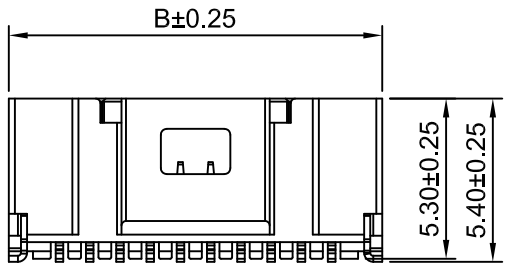
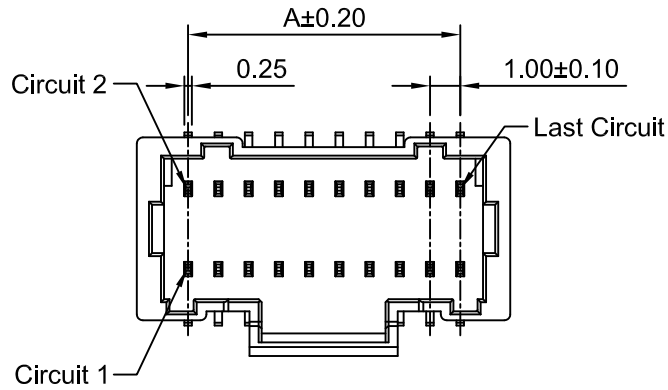
Shenzhen Huade co-create Technology Co.,LTD

TEL : 0755-27129737

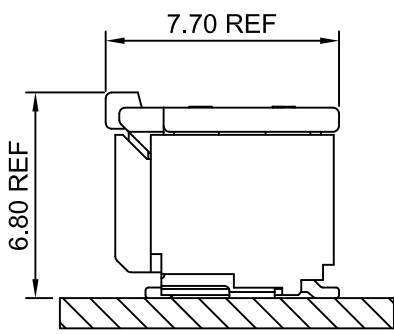
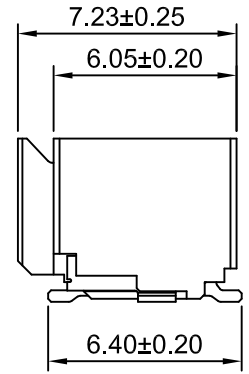
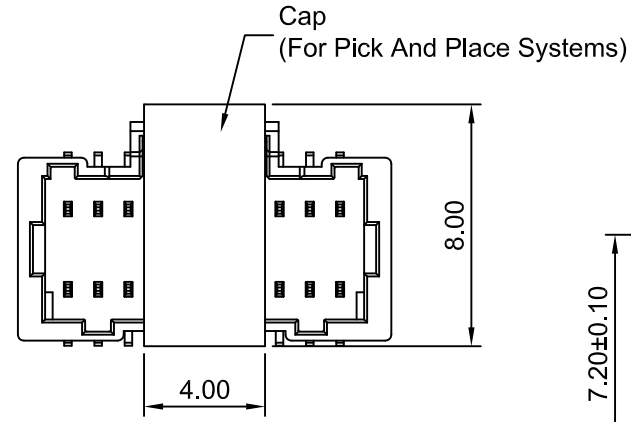
FAX : 0755-29940187

-TOLERANCES- UNLESS OTHERWISE SPECIFIED 公差参数表						TITLE: 产品名称 : 1.00mm Pitch Housing			
X.X	±0.30	X.X°	±3°	APPD: 核准:	XIE	PART NO: 产品编号 : HDGC1008H-2xXP			
X.XX	±0.30	X.XX°	±2°	CHECK: 校对:	WANG	DATE	SCALE	UNIT	CODE NUMBER
X.XXX	±0.10	X.XXX°	±1°	DRAW: 绘图:	WANG	2012-01-16	5:1	mm	A008

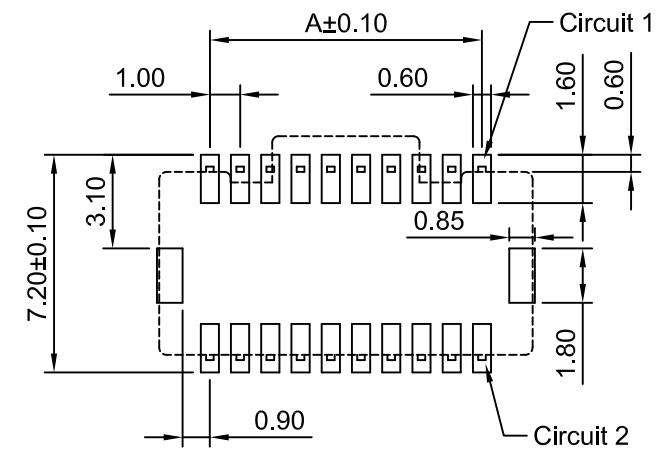
修订 REV	标记 MARK	修改摘要 REVISION DESCRIPTION	签名 SIGNATURE	日期 DATE
AO		NEW RELEASE	WANG	2012-01-16



**SPECIFICATIONS:**  
 Current Rating: 1A AC,DC  
 Voltage Rating: 50V AC,DC  
 Temperature Range: -25°C ~ +85°C  
 Contact Resistance: 20mΩ Max  
 Insulation Resistance: 100MΩ Min  
 Withstanding Voltage: 250V AC/minute  
 Pin Material: Phosphor Bronze  
 Soder Tabs: Brass/Tin over Nickel  
 Material: Nylon 4T, UL94V-0



**ASSEMBLY LAYOUT**



**P.C.B LAYOUT  
TOLERANCE: ±0.05**

**Ordering Information & Dimensions**

Part No.	Dimensions(mm)	
	A	B
HDGC1008WV-S-2x10P	9.00	12.35
HDGC1008WV-S-2x12P	11.00	14.35
HDGC1008WV-S-2x14P	13.00	16.35
HDGC1008WV-S-2x15P	14.00	17.35
HDGC1008WV-S-2x20P	19.00	22.35
HDGC1008WV-S-2x25P	24.00	27.35

**深圳市华德共创科技有限公司**  
 Shenzhen Huade co-create Technology Co.,LTD  
 TEL : 0755-27129737 FAX : 0755-29940187

-TOLERANCES- UNLESS OTHERWISE SPECIFIED 公差参数表					TITLE: 1.00mm Pitch 产品名称: 180° Wafer				
X.X	±0.30	X.X°	±3°	APPD: 核准:	XIE	PART NO: 产品编号: HDGC1008WV-S-2xXP			
X.XX	±0.30	X.XX°	±2°	CHECK: 校对:	WANG	DATE	SCALE	UNIT	CODE NUMBER
X.XXX	±0.10	X.XXX°	±1°	DRAW: 绘图:	WANG	2012-01-16	3:1	mm	A008