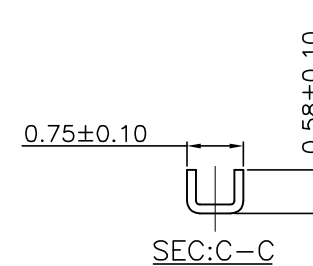
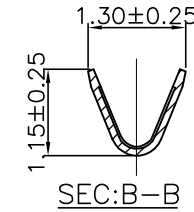
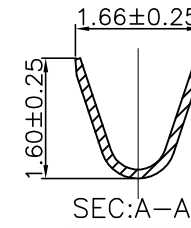
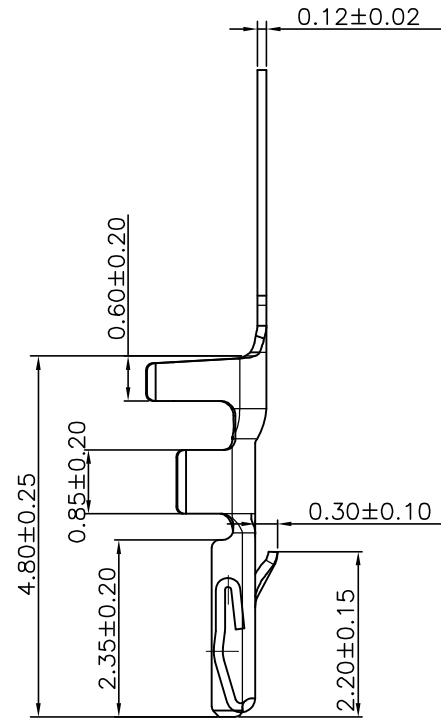
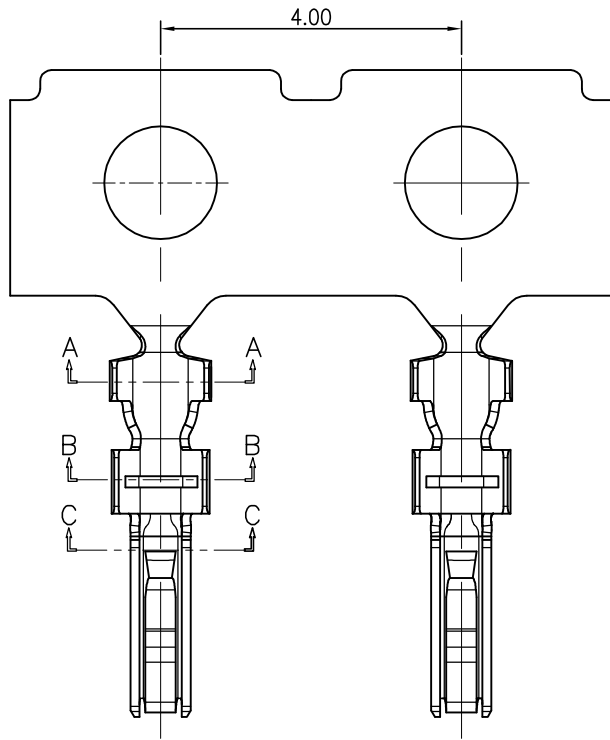


| 修订 REV | 标记 MARK | 修改摘要 REVISION DESCRIPTION | 签名 SIGNATURE | 日期 DATE |
|-----------|------------|------------------------------|-----------------|------------|
| AO | | NEW RELEASE | WANG | 2012-09-20 |



产品要求:

1. 材质:磷铜 C5191 (T=0.12mm);
2. 电镀标准:先冲后镀 镀全锡 Ni底;
3. 包装标准:每盘20K;



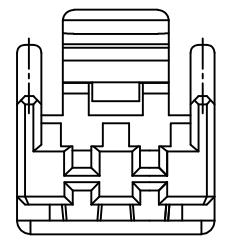
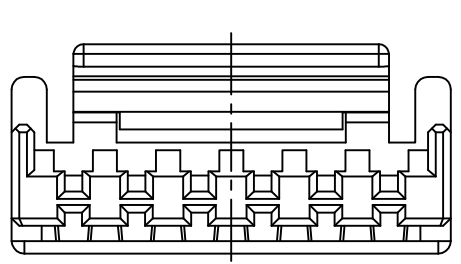
深圳市华德共创科技有限公司

Shenzhen Huade co-create Technology Co.,LTD

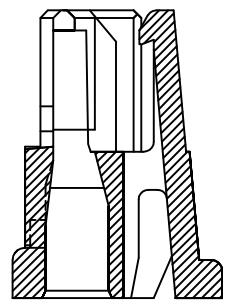
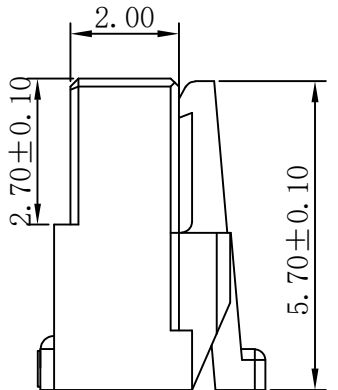
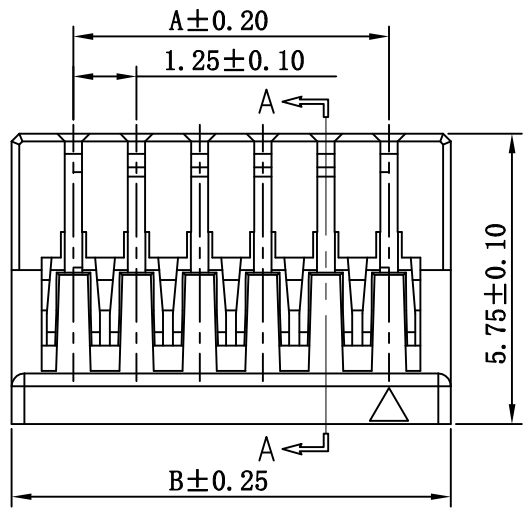
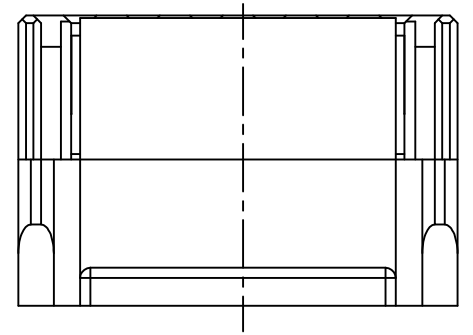
TEL : 0755-27129737 FAX : 0755-29940187

| -TOLERANCES- UNLESS OTHERWISE SPECIFIED 公差参数表 | | | | | | TITLE: 1.25mm Pitch 产品名称: Crimp Terminal | | | |
|---|------------|--------|---------------|---------------|------|---|-------|------|-------------|
| X.X | ± 0.30 | X.X° | $\pm 3^\circ$ | APPD: 核准: | XIE | PART NO: 产品编号: HDGC1257-T | | | |
| X.XX | ± 0.30 | X.XX° | $\pm 2^\circ$ | CHECK: 校对: | WANG | DATE | SCALE | UNIT | CODE NUMBER |
| X.XXX | ± 0.10 | X.XXX° | $\pm 1^\circ$ | DRAW: 绘图: | WANG | 2012-09-20 | 1:1 | mm | A001 |

| 修订 REV | 标记 MARK | 修改摘要 REVISION DESCRIPTION | 签名 SIGNATURE | 日期 DATE |
|-----------|------------|------------------------------|-----------------|------------|
| AO | | NEW RELEASE | WANG | 2010-09-21 |

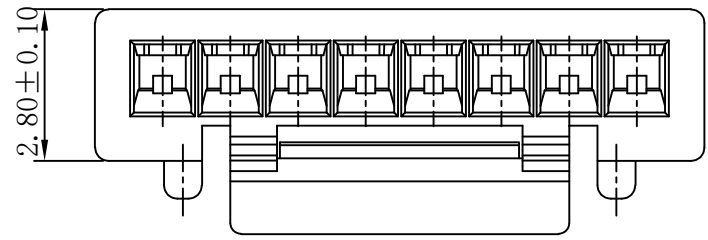
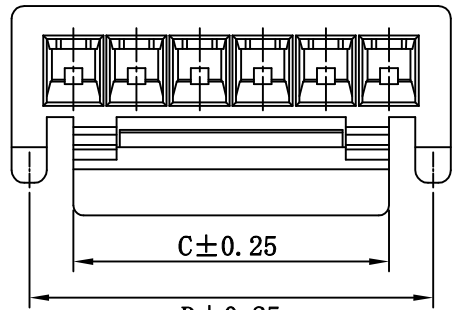


2 PIN



SEC: A-A

| Dimensional Ordering Information | | | | |
|----------------------------------|------------|-------|------|-------|
| Circuits Part No | Dimensions | | | |
| | A | B | C | D |
| 2P | -- | 3.65 | 1.95 | 3.20 |
| 3P | 2.50 | 4.90 | 3.00 | 4.20 |
| 4P | 3.75 | 6.15 | 4.15 | 5.45 |
| 5P | 5.00 | 7.40 | 4.25 | 6.70 |
| 6P | 6.25 | 8.65 | 6.25 | 8.00 |
| 7P | 7.50 | 9.90 | 6.25 | 9.25 |
| 8P | 8.75 | 11.15 | 6.25 | 8.00 |
| 9P | 10.00 | 12.40 | 6.25 | 8.00 |
| 10P | 11.25 | 13.65 | 8.25 | 10.00 |
| 11P | 12.50 | 14.90 | 8.25 | 10.00 |
| 12P | 13.75 | 16.15 | 8.25 | 10.00 |
| 13P | 15.00 | 17.40 | 8.25 | 10.00 |
| 14P | 16.25 | 18.65 | 8.25 | 10.00 |
| 15P | 17.50 | 19.90 | 8.25 | 10.00 |




8~NPIN


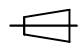
3~7PIN

产品要求:

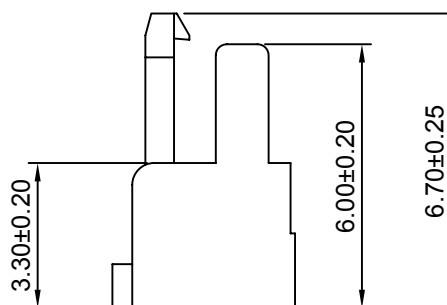
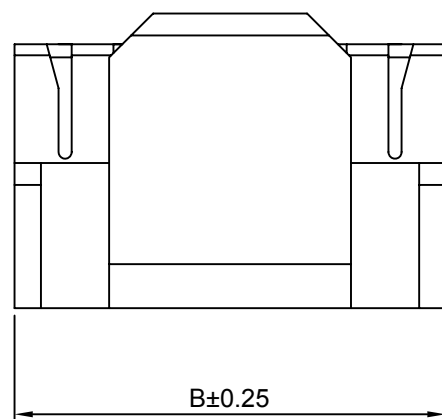
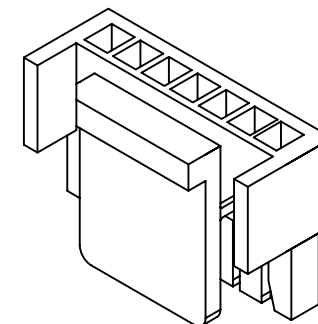
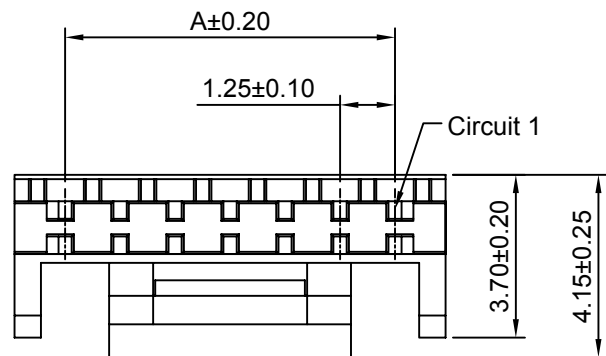
- 1、材质要求: PA66 UL 94V-0;
- 2、外观要求: 外观无变形、无缺胶等不良。



深圳市华德共创科技有限公司
Shenzhen Huade co-create Technology Co.,LTD
TEL : 0755-27129737 FAX : 0755-29940187

| | | | | | | | | |
|---|-------|--------|-----|---|--------------------------------------|-------|------|-------------|
| -TOLERANCES- UNLESS OTHERWISE SPECIFIED 公差参数表 | | | |   | TITLE: 产品名称: 1.25mm Pitch Housing | | | |
| X.X | ±0.30 | X.X° | ±3° | APPD: 核准: XIE | PART NO: 产品编号: HDGC1257H-XP | | | |
| X.XX | ±0.30 | X.XX° | ±2° | CHECK: 校对: WANG | DATE | SCALE | UNIT | CODE NUMBER |
| X.XXX | ±0.10 | X.XXX° | ±1° | DRAW: 绘图: WANG | 2010-09-21 | 1:1 | mm | A001 |

| 修订 REV | 标记 MARK | 修改摘要 REVISION DESCRIPTION | 签名 SIGNATURE | 日期 DATE |
|-----------|------------|------------------------------|-----------------|------------|
| AO | | NEW RELEASE | WANG | 2011-04-22 |



SPECIFICATIONS:

Current Rating: 1A AC,DC
Voltage Rating: 150V AC,DC
Temperature Range: -25°C ~ +85°C
Contact Resistance: 30mΩ Max.
Insulation Resistance: 500MΩ Min.
Withstanding Voltage: 500V AC/minute
Material: PBT,UL94V-0(White)

Ordering Information & Dimensions

| Circuits | Dimensions(mm) | | Circuits | Dimensions(mm) | |
|----------|----------------|------|----------|----------------|-------|
| | A | B | | A | B |
| 4P | 3.75 | 6.05 | 8P | 8.75 | 11.05 |
| 5P | 5.00 | 7.30 | 10P | 11.25 | 13.55 |
| 7P | 7.50 | 9.80 | | | |



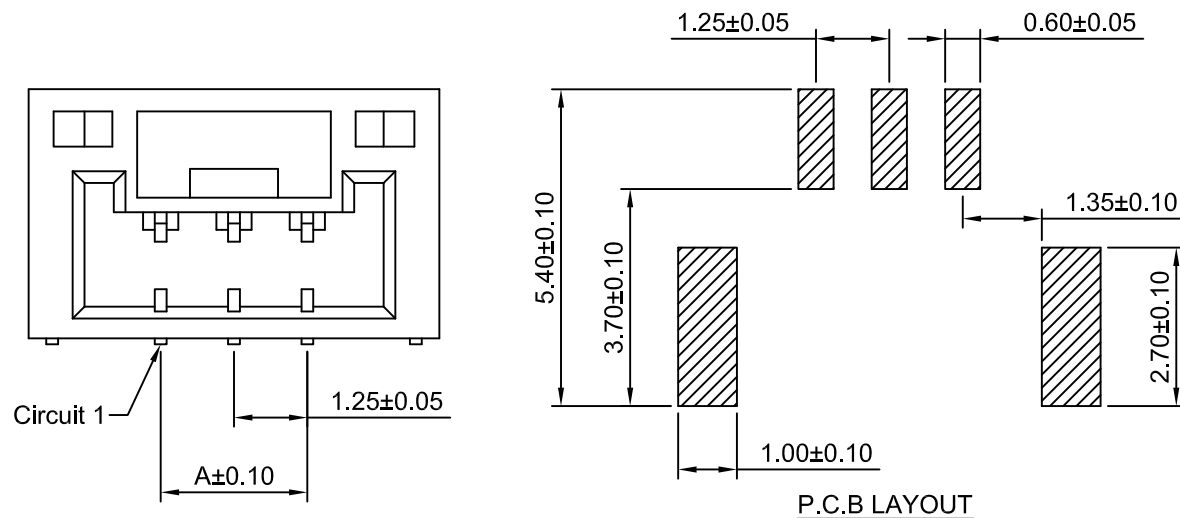
深圳市华德共创科技有限公司

Shenzhen Huade co-create Technology Co.,LTD

TEL : 0755-27129737 FAX : 0755-29940187

| -TOLERANCES- UNLESS OTHERWISE SPECIFIED 公差参数表 | | | | | | TITLE: 产品名称 : 1.25mm Pitch Housing | | | |
|---|-------|--------|-----|----------------|------|---------------------------------------|-------|------|-------------|
| X.X | ±0.30 | X.X° | ±3° | APPD: 核准 : | XIE | PART NO: 产品编号 : HDGC1257HA-XP | | | |
| X.XX | ±0.30 | X.XX° | ±2° | CHECK: 校对 : | WANG | DATE | SCALE | UNIT | CODE NUMBER |
| X.XXX | ±0.10 | X.XXX° | ±1° | DRAW: 绘图 : | WANG | 2011-04-22 | 6:1 | mm | A008 |

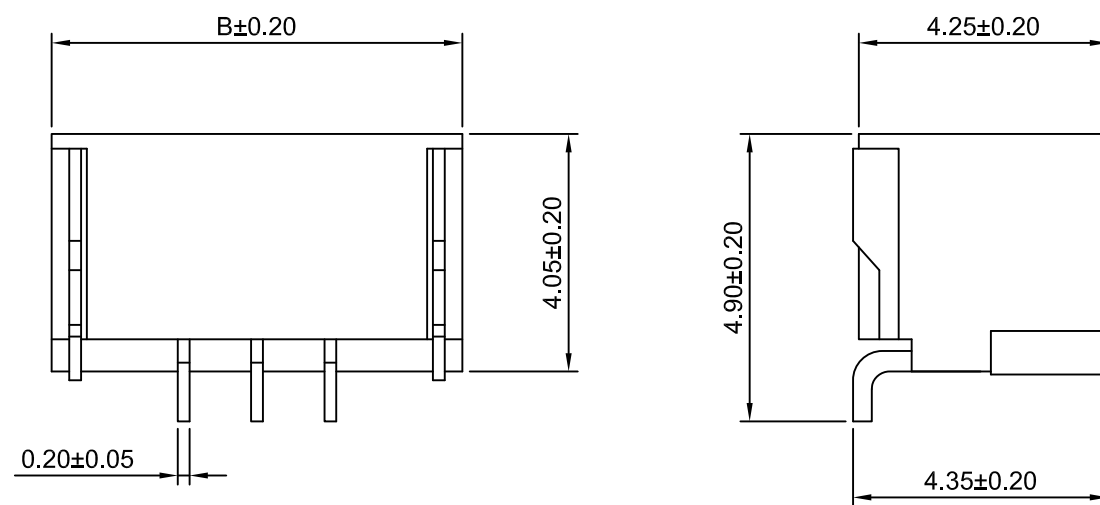
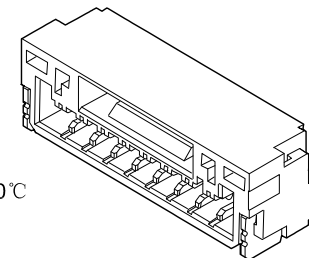
| 修订 REV | 标记 MARK | 修改摘要 REVISION DESCRIPTION | 签名 SIGNATURE | 日期 DATE |
|-----------|------------|------------------------------|-----------------|------------|
| AO | | NEW RELEASE | WANG | 2019-12-26 |



Ordering Information:

HDGC1257WR- S - XP - *** - **
1 2 3

- Part No.
- Material:
(Blank):Nylon 9T,UL94V-0
GWT:Nylon 9T,UL94V-0,GWT 750°C
- Finish:
(Blank):Tin over Nickel
G:Gold over Nickel



Ordering Information & Dimensions

| Circuits | Dimensions(mm) | | Circuits | Dimensions(mm) | |
|----------|----------------|-------|----------|----------------|-------|
| | A | B | | A | B |
| 2P | 1.25 | 5.75 | 9P | 10.00 | 14.50 |
| 3P | 2.50 | 7.00 | 10P | 11.25 | 15.75 |
| 4P | 3.75 | 8.25 | 11P | 12.50 | 17.00 |
| 5P | 5.00 | 9.50 | 12P | 13.75 | 18.25 |
| 6P | 6.25 | 10.75 | 13P | 15.00 | 19.50 |
| 7P | 7.50 | 12.00 | 14P | 16.25 | 20.75 |
| 8P | 8.75 | 13.25 | 15P | 17.50 | 22.00 |

SPECIFICATIONS:

Current Rating: 1A AC,DC
Voltage Rating: 150V AC,DC
Temperature Range: -25°C ~ +85°C
Contact Resistance: 30mΩ Max.
Insulation Resistance: 500MΩ Min.
Withstanding Voltage: 500V AC/minute
Pin Material: Brass/Tin over Nickel
Material: Nylon 9T,UL94V-0(Ivory)



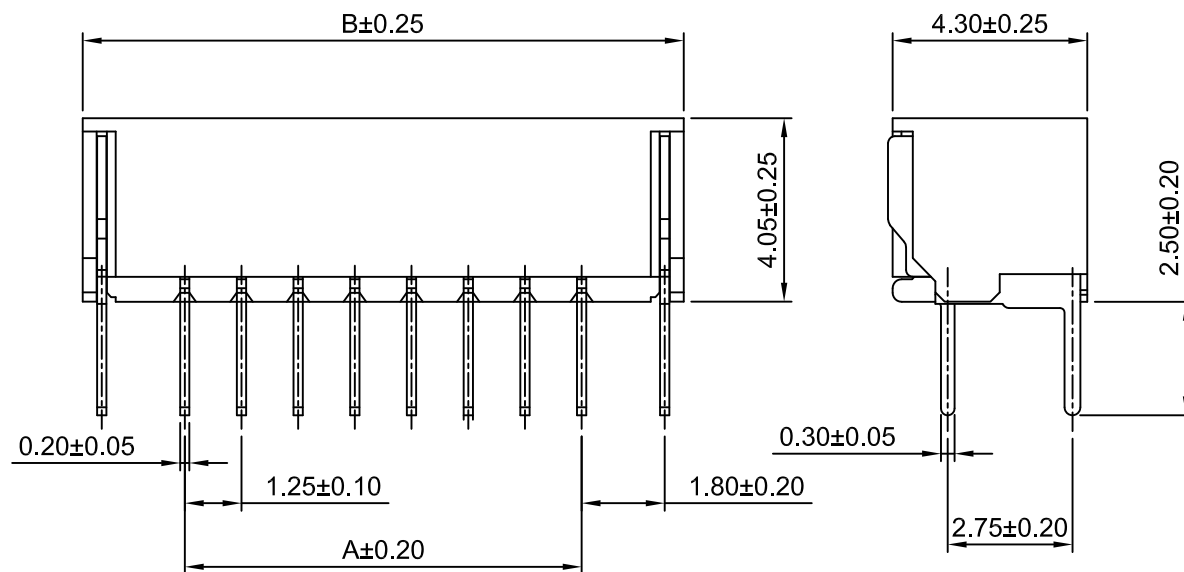
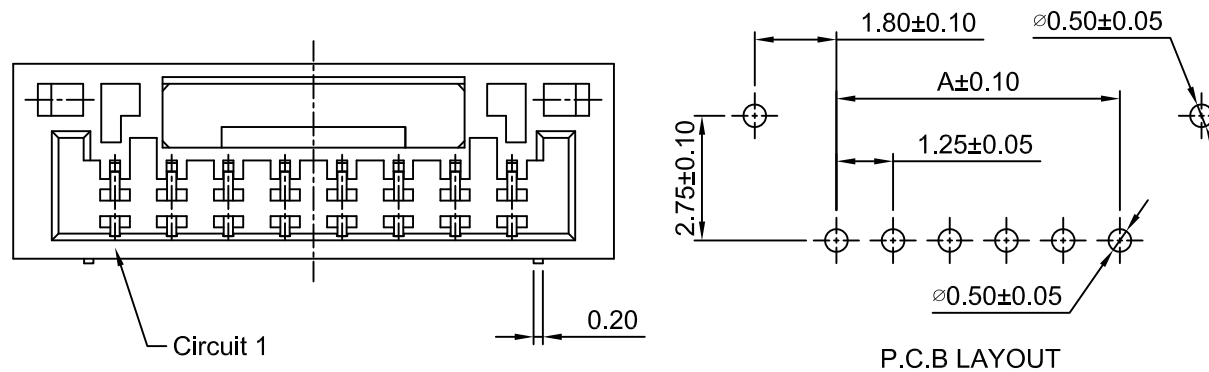
深圳市华德共创科技有限公司

Shenzhen Huade co-create Technology Co.,LTD

TEL : 0755-27129737 FAX : 0755-29940187

| -TOLERANCES- UNLESS OTHERWISE SPECIFIED 公差参数表 | | | | TITLE: 产品名称: 1.25mm Pitch 90° Wafer | |
|---|-------|-----------------|-------------|---|------|
| X.X | ±0.30 | X.X° | ±3° | APPD: 核准: | XIE |
| X.XX | ±0.30 | X.XX° | ±2° | CHECK: 校对: | WANG |
| X.XXX | ±0.10 | X.XXX° | ±1° | DRAW: 绘图: | WANG |
| PART NO: 产品编号: | | HDGC1257WR-S-XP | | | |
| DATE | SCALE | UNIT | CODE NUMBER | | |
| 2019-12-26 | 8:1 | mm | A008 | | |

| 修订 REV | 标记 MARK | 修改摘要 REVISION DESCRIPTION | 签名 SIGNATURE | 日期 DATE |
|-----------|------------|------------------------------|-----------------|------------|
| AO | | NEW RELEASE | WANG | 2019-12-26 |



Ordering Information:

HDGC1257WV-F-XP - ** - ** - **
1 2 3 4

- Part No.
- Material:
(Blank):Nylon 9T,UL94V-0(Ivory)
GWT:Nylon 9T,UL94V-0,GWT 750 °C
- Color:
(Blank):Ivory
BK:Black BL:Blue
OR:Orange LE:Light blue
TR:Tomato red LY:Lemon yellow
MG:Moss green DPK:Dark pink
- Finish:
(Blank):Tin over Nickel
G:Gold over Nickel

Ordering Information & Dimensions

| Circuits | Dimensions(mm) | | Circuits | Dimensions(mm) | |
|----------|----------------|-------|----------|----------------|-------|
| | A | B | | A | B |
| 2P | 1.25 | 5.75 | 9P | 10.00 | 14.50 |
| 3P | 2.50 | 7.00 | 10P | 11.25 | 15.75 |
| 4P | 3.75 | 8.25 | 11P | 12.50 | 17.00 |
| 5P | 5.00 | 9.5 | 12P | 13.75 | 18.25 |
| 6P | 6.25 | 10.75 | 13P | 15.00 | 19.50 |
| 7P | 7.50 | 12.00 | 14P | 16.25 | 20.75 |
| 8P | 8.75 | 13.25 | 15P | 17.50 | 22.00 |

SPECIFICATIONS:

Current Rating: 1A AC,DC
Voltage Rating: 50V AC,DC
Temperature Range: -25°C ~ +85°C
Contact Resistance: 30mΩ Max.
Insulation Resistance: 100MΩ Min.
Withstanding Voltage: 100V AC/minute
Pin Material: Phosphor Bronze/Tin over Nickel
Material: Nylon 9T,UL94V-0(Ivory)



深圳市华德共创科技有限公司

Shenzhen Huade co-create Technology Co.,LTD

TEL : 0755-27129737 FAX : 0755-29940187

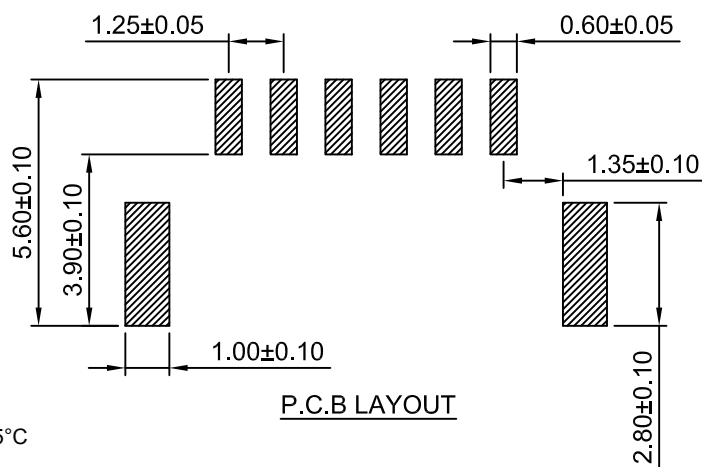
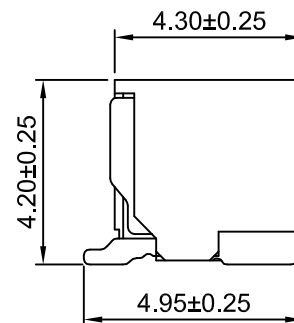
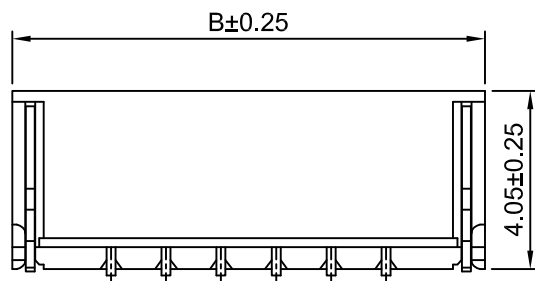
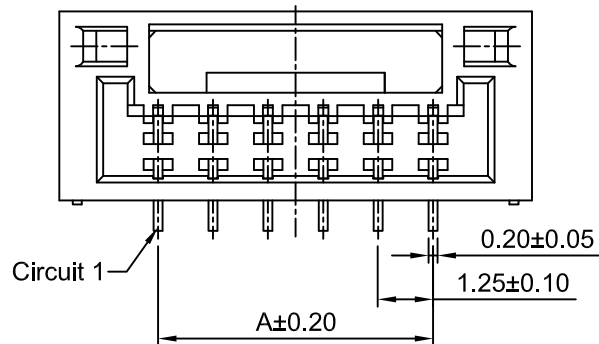
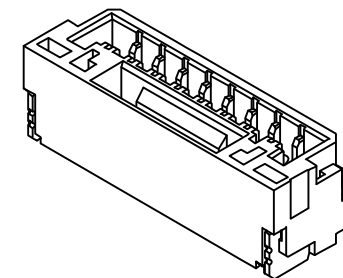
| -TOLERANCES- UNLESS OTHERWISE SPECIFIED 公差参数表 | | | | TITLE: 1.25mm Pitch 产品名称: 180° Wafer | |
|---|-------|-----------------|-------------|---|------|
| X.X | ±0.30 | X.X° | ±3° | APPD: 核准: | XIE |
| X.XX | ±0.30 | X.XX° | ±2° | CHECK: 校对: | WANG |
| X.XXX | ±0.10 | X.XXX° | ±1° | DRAW: 绘图: | WANG |
| PART NO: 产品编号: | | HDGC1257WV-F-XP | | | |
| DATE | SCALE | UNIT | CODE NUMBER | | |
| 2019-12-26 | 6:1 | mm | A008 | | |

| 修订 REV | 标记 MARK | 修改摘要 REVISION DESCRIPTION | 签名 SIGNATURE | 日期 DATE |
|-----------|------------|------------------------------|-----------------|------------|
| AO | | NEW RELEASE | WANG | 2019-12-26 |

Ordering Information:

HDGC1257WV-S-XP - *** - *** - *

- Part No.
- Material:
(Blank):Nylon 9T,UL94V-0(Ivory)
GWT:Nylon 9T,UL94V-0,GWT 750°C
- Color:
(Blank):Ivory
BK:Black BL:Blue
OR:Orange LE:Light blue
TR:Tomato red LY:Lemon yellow
MG:Moss green DPK:Dark pink
- Finish:
(Blank):Tin over Nickel
G:Gold over Nickel



SPECIFICATIONS:

Current Rating: 1A AC,DC
Voltage Rating: 50V AC,DC
Temperature Range: -25°C ~ +85°C
Contact Resistance: 30mΩ Max.
Insulation Resistance: 100MΩ Min.
Withstanding Voltage: 100V AC/minute
Pin Material: Phosphor Bronze/Tin over Nickel
Material: Nylon 9T,UL94V-0(Ivory)

Ordering Information & Dimensions

| Circuits | Dimensions(mm) | | Circuits | Dimensions(mm) | |
|----------|----------------|-------|----------|----------------|-------|
| | A | B | | A | B |
| 2P | 1.25 | 5.75 | 9P | 10.00 | 14.50 |
| 3P | 2.50 | 7.00 | 10P | 11.25 | 15.75 |
| 4P | 3.75 | 8.25 | 11P | 12.50 | 17.00 |
| 5P | 5.00 | 9.5 | 12P | 13.75 | 18.25 |
| 6P | 6.25 | 10.75 | 13P | 15.00 | 19.50 |
| 7P | 7.50 | 12.00 | 14P | 16.25 | 20.75 |
| 8P | 8.75 | 13.25 | 15P | 17.50 | 22.00 |



深圳市华德共创科技有限公司

Shenzhen Huade co-create Technology Co.,LTD

TEL : 0755-27129737 FAX : 0755-29940187

| -TOLERANCES- UNLESS OTHERWISE SPECIFIED 公差参数表 | | | | TITLE: 产品名称: 1.25mm Pitch 180° Wafer | |
|---|-------|--------|------|--|------|
| X.X | ±0.30 | X.X° | ±3° | APPD: 核准: | XIE |
| X.XX | ±0.30 | X.XX° | ±2° | CHECK: 校对: | WANG |
| X.XXX | ±0.10 | X.XXX° | ±1° | DRAW: 绘图: | WANG |
| PART NO: 产品编号: | | | | HDGC1257WV-S-XP | |
| DATE | | SCALE | UNIT | CODE NUMBER | |
| 2019-12-26 | | 6:1 | mm | A008 | |