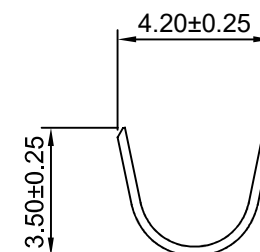
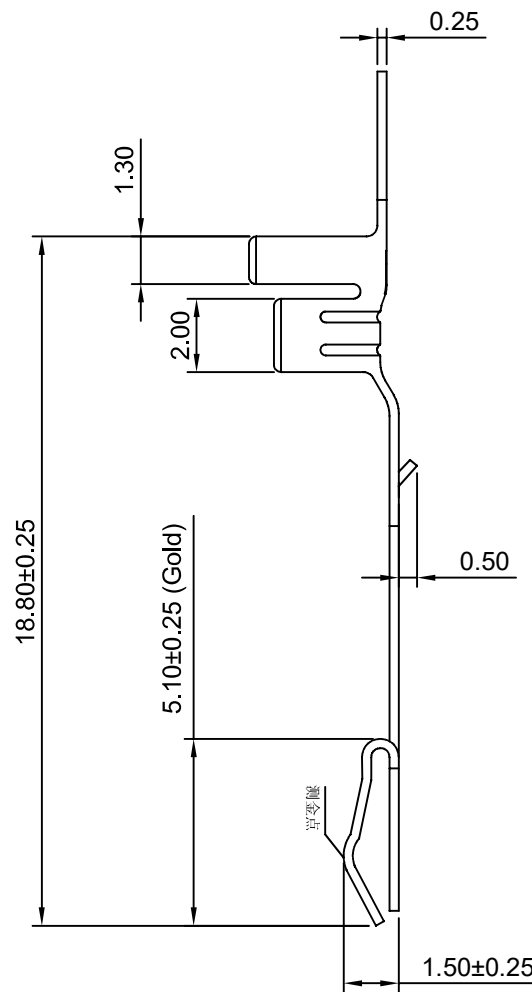
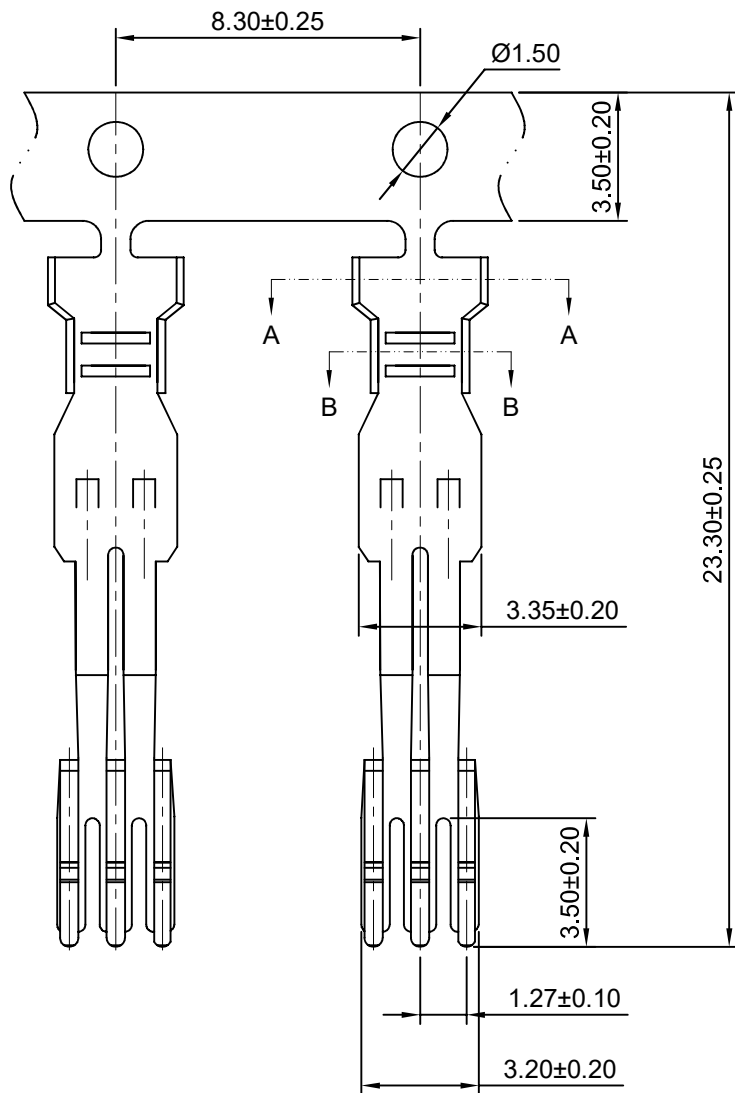
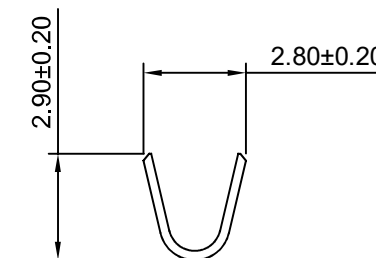


修订 REV	标记 MARK	修改摘要 REVISION DESCRIPTION	签名 SIGNATURE	日期 DATE
AO		NEW RELEASE	WANG	2012-04-26



SEC:A-A



SEC:B-B

Ordering information & Specifications

Part No	Wire Range	Insulation O.D.	Material	Finish	Qty/reel
HDGC1271-GP	AWG#18-#20	2.10mm(max)	Phosphor Bronze	Gold over Nickel	5,000 PCS



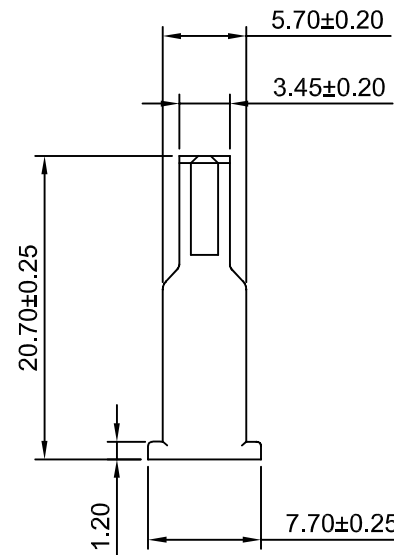
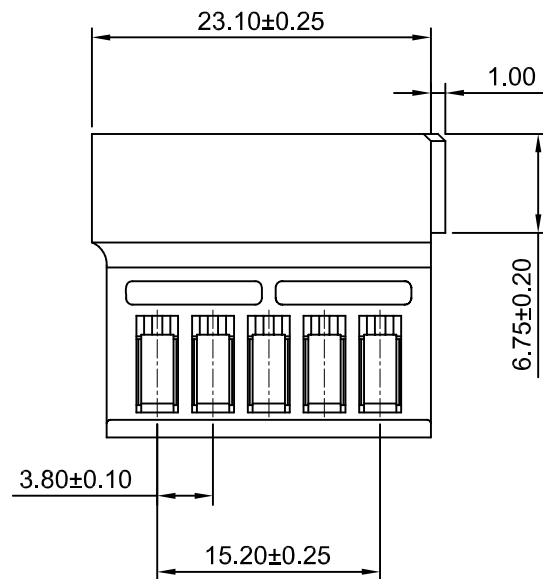
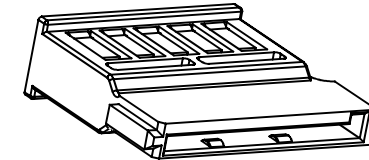
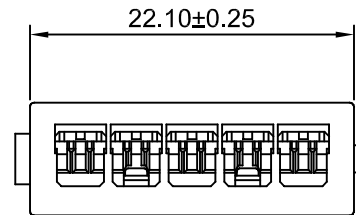
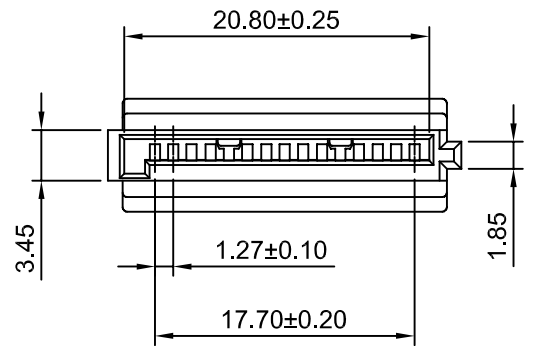
深圳市华德共创科技有限公司

Shenzhen Huade co-create Technology Co.,LTD

TEL : 0755-27129737 FAX : 0755-29940187

-TOLERANCES- UNLESS OTHERWISE SPECIFIED 公差参数表						TITLE: 1.27mm Pitch 产品名称: Crimp Terminal			
X.X	± 0.30	X.X°	$\pm 3^\circ$	APPD: 核准:	XIE	PART NO: 产品编号: HDGC1271-T			
X.XX	± 0.30	X.XX°	$\pm 2^\circ$	CHECK: 校对:	WANG	DATE	SCALE	UNIT	CODE NUMBER
X.XXX	± 0.10	X.XXX°	$\pm 1^\circ$	DRAW: 绘图:	WANG	2012-04-26	5:1	mm	A008

修订 REV	标记 MARK	修改摘要 REVISION DESCRIPTION	签名 SIGNATURE	日期 DATE
AO		NEW RELEASE	WANG	2012-04-26



SPECIFICATIONS:

Current Rating: 1.5A AC,DC

Voltage Rating: 15V AC,DC

Temperature Range: -25°C~+85°C

Contact Resistance: 20mΩ Max

Insulation Resistance: 1000MΩ Min

Withstanding Voltage: 500V AC/minute

Material: PBT,UL94V-0(Black)

-TOLERANCES- UNLESS OTHERWISE SPECIFIED 公差参数表						TITLE: 产品名称: 1.27mm Pitch Housing			
X.X	±0.30	X.X°	±3°	APPD: 核准:	XIE	PART NO: 产品编号: HDGC1271H-15P			
X.XX	±0.30	X.XX°	±2°	CHECK: 校对:	WANG	DATE	SCALE	UNIT	CODE NUMBER
X.XXX	±0.10	X.XXX°	±1°	DRAW: 绘图:	WANG	2012-04-26	2:1	mm	A008

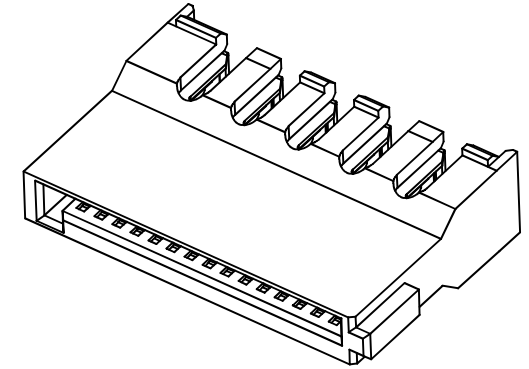
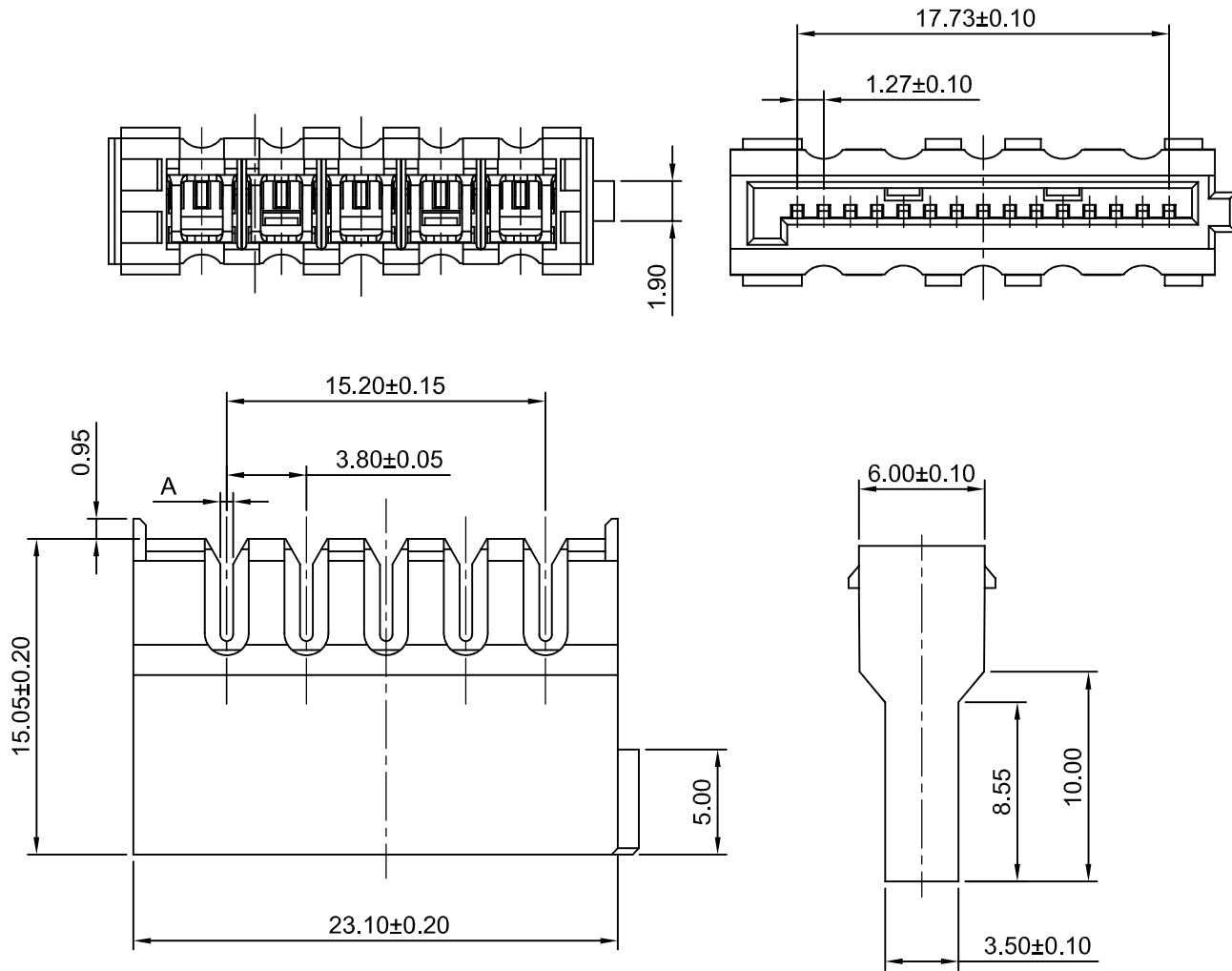


深圳市华德共创科技有限公司

Shenzhen Huade co-create Technology Co.,LTD

TEL : 0755-27129737 FAX : 0755-29940187

修订 REV	标记 MARK	修改摘要 REVISION DESCRIPTION	签名 SIGNATURE	日期 DATE
AO		NEW RELEASE	WANG	2012-04-26



SPECIFICATIONS:

Current Rating: 1.5A AC,DC
Voltage Rating: 30V AC,DC
Temperature Range: -25°C~+85°C
Contact Resistance: 20mΩ Max
Insulation Resistance: 1000MΩ Min
Withstanding Voltage: 500V AC/minute
Pin Material: Phosphor Bronze, Gold-flash
Material: PBT, UL94V-0(Black)

				深圳市华德共创科技有限公司 Shenzhen Huade co-create Technology Co.,LTD TEL : 0755-27129737 FAX : 0755-29940187					
								-TOLERANCES- UNLESS OTHERWISE SPECIFIED 公差参数表	
X.X	±0.30	X.X°	±3°	APPD: 核准:	XIE	PART NO: 产品编号: HDGC1271HC-15P-XX			
X.XX	±0.30	X.XX°	±2°	CHECK: 校对:	WANG	DATE	SCALE	UNIT	CODE NUMBER
X.XXX	±0.10	X.XXX°	±1°	DRAW: 绘图:	WANG	2012-04-26	3:1	mm	A008