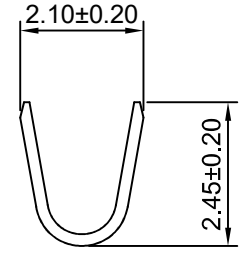
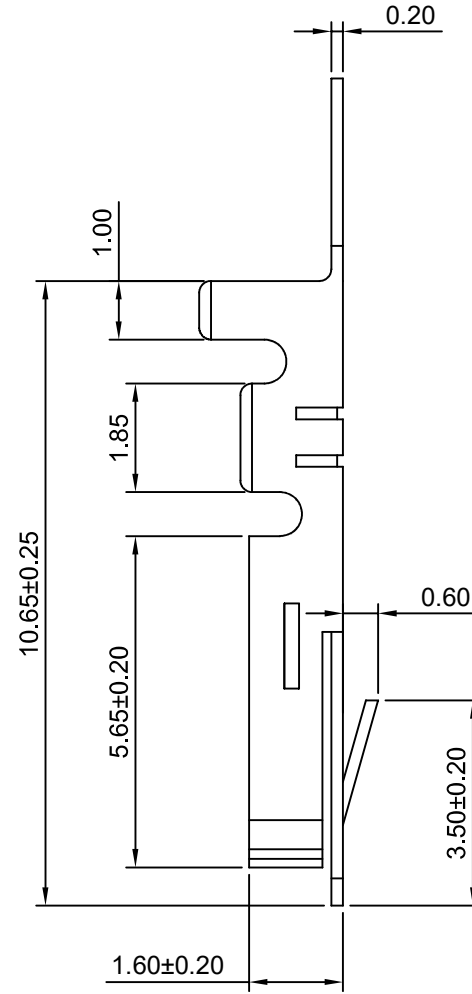
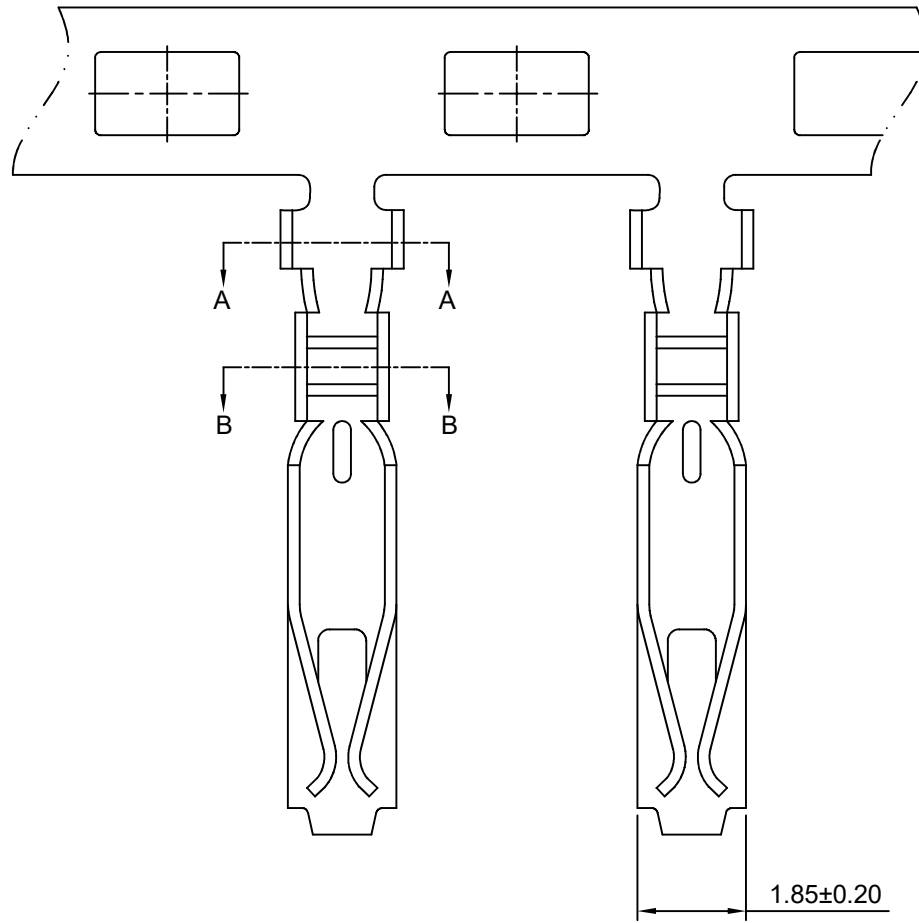
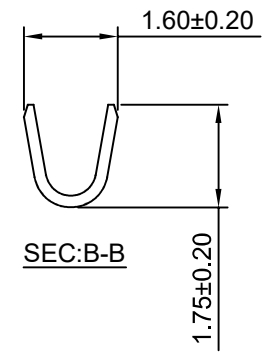


修订 REV	标记 MARK	修改摘要 REVISION DESCRIPTION	签名 SIGNATURE	日期 DATE
AO		NEW RELEASE	WANG	2013-12-26



SEC:A-A



SEC:B-B

Ordering information & Specifications

Unit:mm

Part No	Wire Range	Insulation O.D.	Material	Finish	Qty/reel
HDGC2506-TP	AWG#22-#28	1.70mm(max)	Phosphor Bronze	Tin over Nickel	10,000 PCS
HDGC2506-GP	AWG#22-#28	1.70mm(max)	Phosphor Bronze	Gold over Nickel	10,000 PCS

Optional Gold plating available but MOQ requested



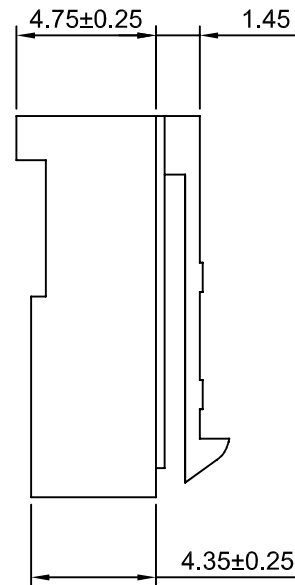
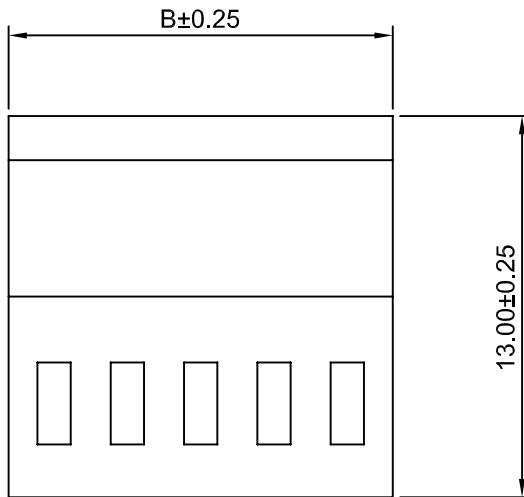
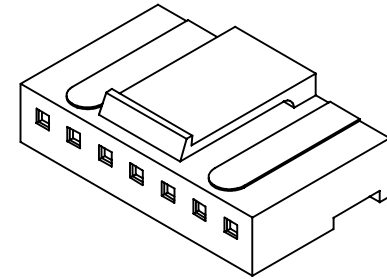
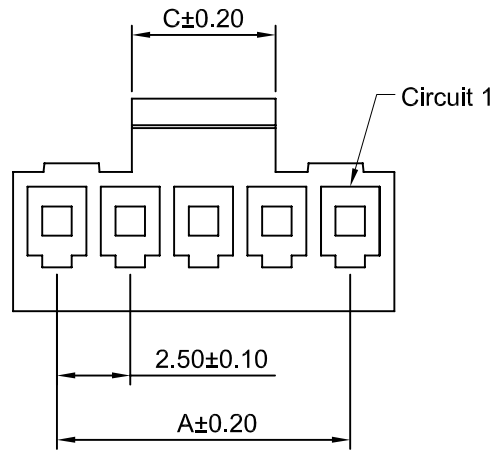
深圳市华德共创科技有限公司

Shenzhen Huade co-create Technology Co.,LTD

TEL : 0755-27129737 FAX : 0755-29940187

-TOLERANCES- UNLESS OTHERWISE SPECIFIED 公差参数表						TITLE: 2.50mm Pitch 产品名称: Crimp Terminal			
X.X	±0.30	X.X°	±3°	APPD: 核准:	XIE	PART NO: 产品编号: HDGC2506-T			
X.XX	±0.30	X.XX°	±2°	CHECK: 校对:	WANG	DATE	SCALE	UNIT	CODE NUMBER
X.XXX	±0.10	X.XXX°	±1°	DRAW: 绘图:	WANG	2013-12-26	8:1	mm	A008

修订 REV	标记 MARK	修改摘要 REVISION DESCRIPTION	签名 SIGNATURE	日期 DATE
AO		NEW RELEASE	WANG	2013-12-26



**SPECIFICATIONS:**

Current Rating: 3A AC,DC  
Voltage Rating: 250V AC,DC  
Temperature Range: -25°C ~ +85°C  
Contact Resistance: 20mΩ Max  
Insulation Resistance: 1000MΩ Min  
Withstanding Voltage: 1000V AC/minute  
Material: Nylon 66,UL94V-0 (Pink)

**Ordering Information & Dimensions**

Circuits	Dimensions(mm)			Circuits	Dimensions(mm)		
	A	B	C		A	B	C
2P	2.50	5.50	2.00	9P	20.00	23.00	10.00
3P	5.00	8.00	3.00	10P	22.50	25.50	10.00
4P	7.50	10.50	4.00	11P	25.00	28.00	11.00
5P	10.00	13.00	5.00	12P	27.50	30.50	11.00
6P	12.50	15.50	6.00	13P	30.00	33.00	13.00
7P	15.00	18.00	8.00	14P	32.50	35.50	13.00
8P	17.50	20.50	10.00	15P	35.00	38.00	13.00

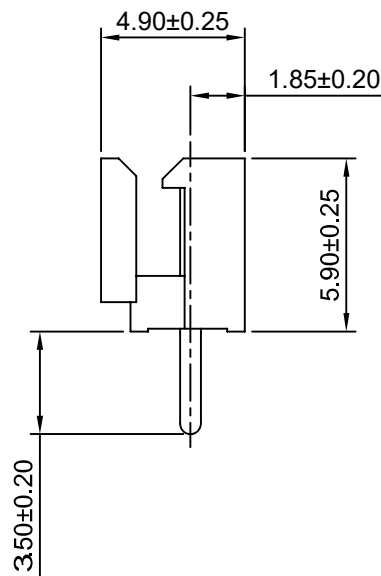
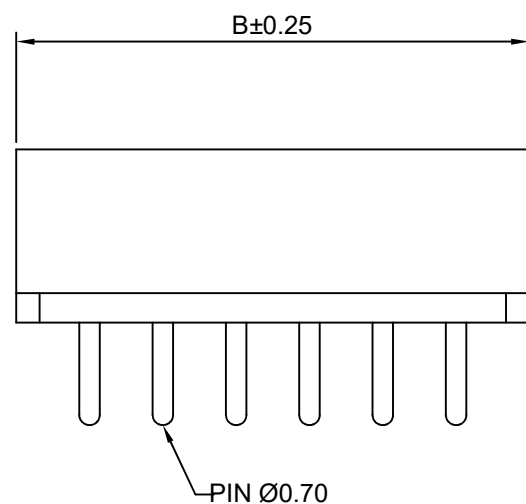
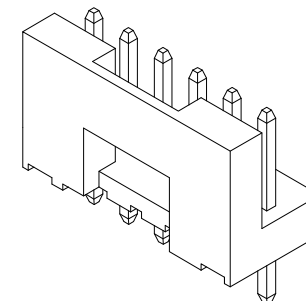
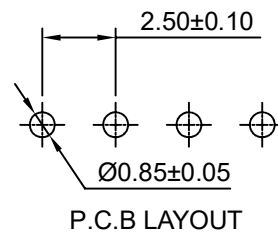
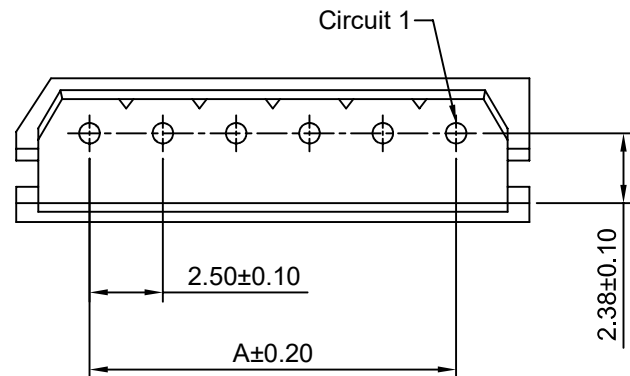


**深圳市华德共创科技有限公司**

Shenzhen Huade co-create Technology Co.,LTD  
TEL : 0755-27129737 FAX : 0755-29940187

-TOLERANCES- UNLESS OTHERWISE SPECIFIED 公差参数表						TITLE: 产品名称 : 2.50mm Pitch Housing			
X.X	±0.30	X.X°	±3°	APPD: 核准:	XIE	PART NO: 产品编号 : HDGC2506H-XP			
X.XX	±0.30	X.XX°	±2°	CHECK: 校对:	WANG	DATE	SCALE	UNIT	CODE NUMBER
X.XXX	±0.10	X.XXX°	±1°	DRAW: 绘图:	WANG	2013-12-26	4:1	mm	A008

修订 REV	标记 MARK	修改摘要 REVISION DESCRIPTION	签名 SIGNATURE	日期 DATE
AO		NEW RELEASE	WANG	2013-12-26



### SPECIFICATIONS:

Current Rating: 3A AC,DC  
Voltage Rating: 250V AC,DC  
Temperature Range: -25°C ~ +85°C  
Contact Resistance: 20mΩ Max  
Insulation Resistance: 1000MΩ Min  
Withstanding Voltage: 1000V AC/minute  
Pin Material: Brass/Tin over Nickel  
Material: Nylon 66,UL94V-0(Pink)

### Ordering Information & Dimensions

Circuits	Dimensions(mm)			Circuits	Dimensions(mm)		
	A	B	C		A	B	C
2P	2.50	5.00	2.20	9P	20.00	22.50	10.20
3P	5.00	7.50	3.20	10P	22.50	25.00	10.20
4P	7.50	10.00	5.20	11P	25.00	27.50	11.20
5P	10.00	12.50	5.20	12P	27.50	30.00	11.20
6P	12.50	15.00	6.20	13P	30.00	32.50	13.20
7P	15.00	17.50	8.20	14P	32.50	35.00	13.20
8P	17.50	20.00	10.20	15P	35.00	37.50	13.20



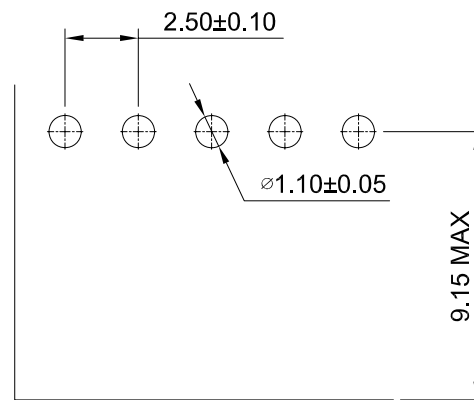
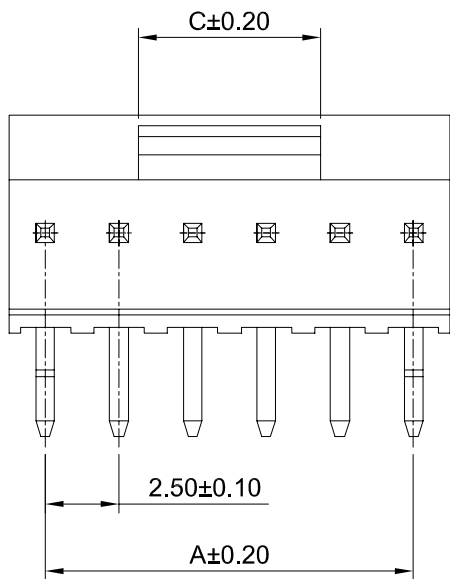
深圳市华德共创科技有限公司

Shenzhen Huade co-create Technology Co.,LTD

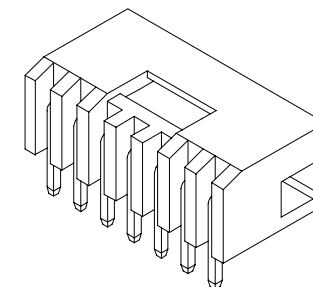
TEL : 0755-27129737 FAX : 0755-29940187

-TOLERANCES- UNLESS OTHERWISE SPECIFIED 公差参数表						TITLE: 2.50mm Pitch 产品名称: 180° Wafer			
X.X	±0.30	X.X°	±3°	APPD: 核准:	XIE	PART NO: 产品编号: HDGC2506WV-XP			
X.XX	±0.30	X.XX°	±2°	CHECK: 校对:	WANG	DATE	SCALE	UNIT	CODE NUMBER
X.XXX	±0.10	X.XXX°	±1°	DRAW: 绘图:	WANG	2013-12-26	4:1	mm	A008

修订 REV	标记 MARK	修改摘要 REVISION DESCRIPTION	签名 SIGNATURE	日期 DATE
AO		NEW RELEASE	WANG	2013-12-26



P.C.B LAYOUT

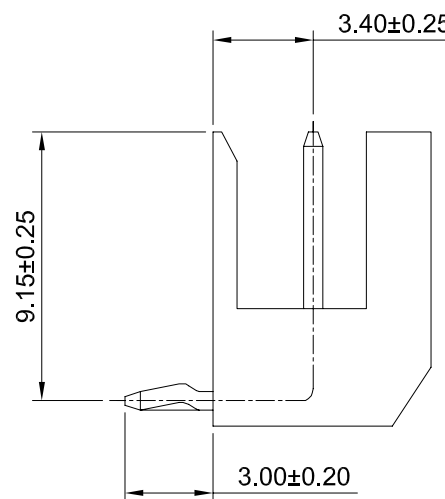
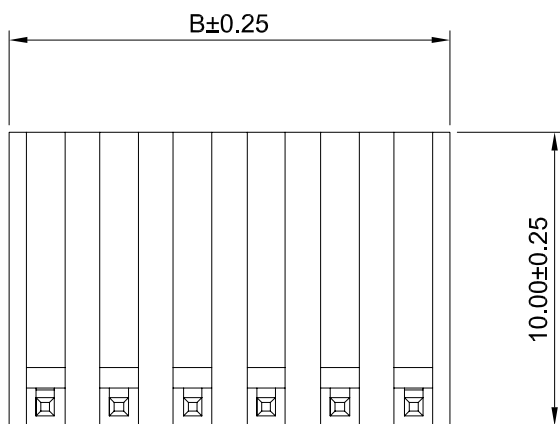


**SPECIFICATIONS:**

Current Rating: 3A AC,DC  
Voltage Rating: 250V AC,DC  
Temperature Range: -25°C ~ +85°C  
Contact Resistance: 20mΩ Max  
Insulation Resistance: 1000MΩ Min  
Withstanding Voltage: 1000V AC/minute  
Pin Material: Brass/Tin over Nickel  
Material: PBT+30%GF,UL94V-0(White)

**Ordering Information & Dimensions**

Circuits	Dimensions(mm)			Circuits	Dimensions(mm)		
	A	B	C		A	B	C
2P	2.50	5.00	2.20	9P	20.00	22.50	10.20
3P	5.00	7.50	3.20	10P	22.50	25.00	10.20
4P	7.50	10.00	5.20	11P	25.00	27.50	11.20
5P	10.00	12.50	5.20	12P	27.50	30.00	11.20
6P	12.50	15.00	6.20	13P	30.00	32.50	13.20
7P	15.00	17.50	8.20	14P	32.50	35.00	13.20
8P	17.50	20.00	10.20	15P	35.00	37.50	13.20



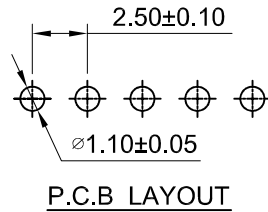
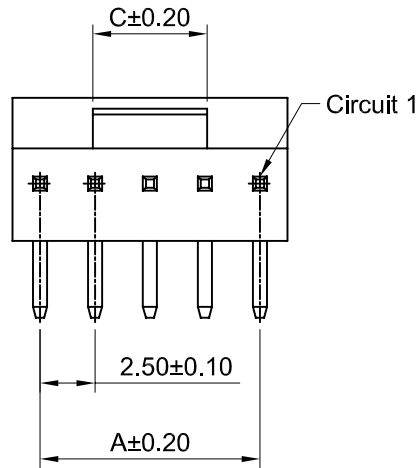
深圳市华德共创科技有限公司

Shenzhen Huade co-create Technology Co.,LTD

TEL : 0755-27129737 FAX : 0755-29940187

-TOLERANCES- UNLESS OTHERWISE SPECIFIED 公差参数表						TITLE: 2.50mm Pitch 产品名称: 90° Wafer			
X.X	±0.30	X.X°	±3°	APPD: 核准:	XIE	PART NO: 产品编号: HDGC2506WR-XP			
X.XX	±0.30	X.XX°	±2°	CHECK: 校对:	WANG	DATE	SCALE	UNIT	CODE NUMBER
X.XXX	±0.10	X.XXX°	±1°	DRAW: 绘图:	WANG	2013-12-26	4:1	mm	A008

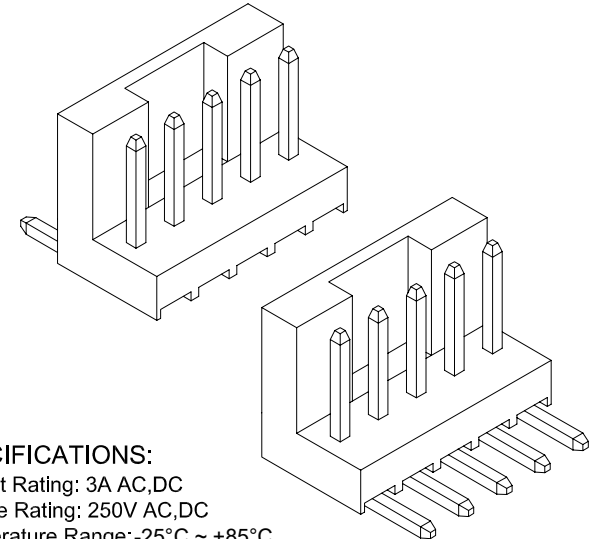
修订 REV	标记 MARK	修改摘要 REVISION DESCRIPTION	签名 SIGNATURE	日期 DATE
AO		NEW RELEASE	WANG	2013-12-26



-25°C ~ +85°C

Ordering Information:  
A2506WRA-XP - \*\*

1 Part No.  
2 Style:  
(blank)-Type 1  
2-Type 2

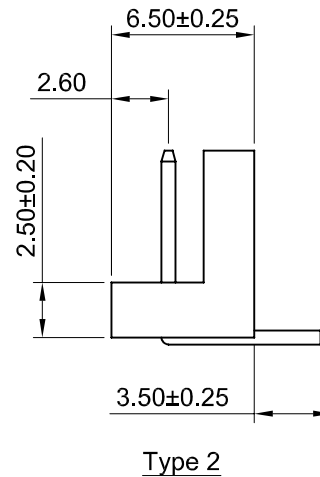
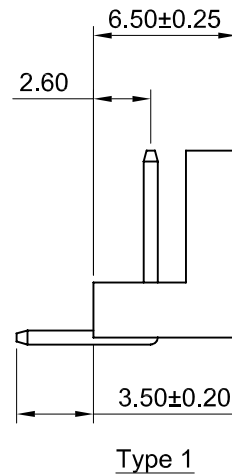
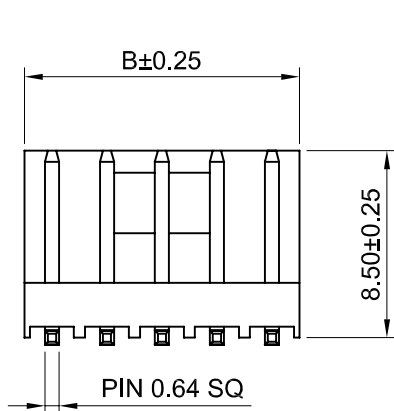


**SPECIFICATIONS:**

Current Rating: 3A AC,DC  
Voltage Rating: 250V AC,DC  
Temperature Range: -25°C ~ +85°C  
Contact Resistance: 20mΩ Max  
Insulation Resistance: 1000MΩ Min  
Withstanding Voltage: 1000V AC/minute  
Pin Material: Brass/Tin over Nickel  
Material: Nylon 66,UL94V-0(Pink)

**Ordering Information & Dimensions**

Circuits	Dimensions(mm)			Circuits	Dimensions(mm)		
	A	B	C		A	B	C
2P	2.50	5.00	2.20	9P	20.00	22.50	10.20
3P	5.00	7.50	3.20	10P	22.50	25.00	10.20
4P	7.50	10.00	5.20	11P	25.00	27.50	11.20
5P	10.00	12.50	5.20	12P	27.50	30.00	11.20
6P	12.50	15.00	6.20	13P	30.00	32.50	13.20
7P	15.00	17.50	8.20	14P	32.50	35.00	13.20
8P	17.50	20.00	10.20	15P	35.00	37.50	13.20



深圳市华德共创科技有限公司

Shenzhen Huade co-create Technology Co.,LTD  
TEL : 0755-27129737 FAX : 0755-29940187

-TOLERANCES- UNLESS OTHERWISE SPECIFIED 公差参数表						TITLE: 2.50mm Pitch 产品名称: 90° Wafer			
X.X	±0.30	X.X°	±3°	APPD: 核准:	XIE	PART NO: 产品编号: HDGC2506WRA-XP			
X.XX	±0.30	X.XX°	±2°	CHECK: 校对:	WANG	DATE	SCALE	UNIT	CODE NUMBER
X.XXX	±0.10	X.XXX°	±1°	DRAW: 绘图:	WANG	2013-12-26	3:1	mm	A008