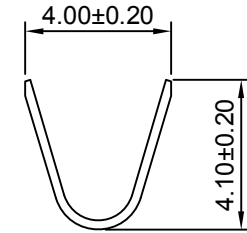
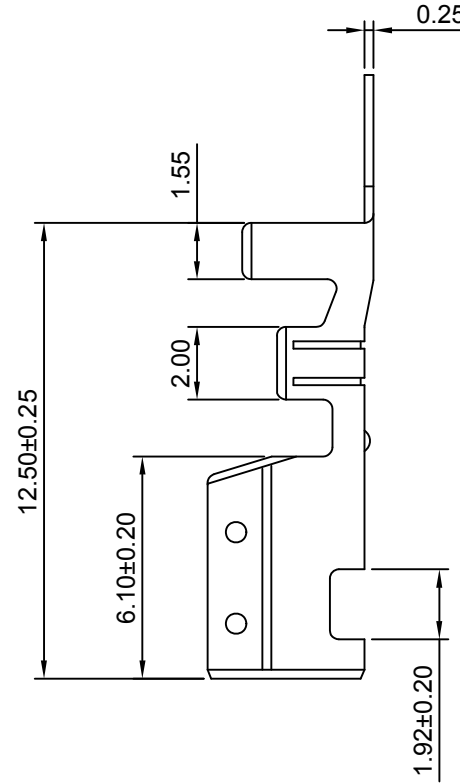
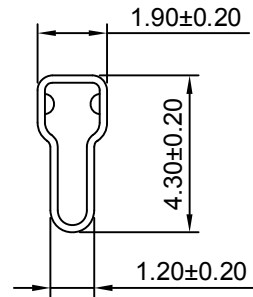
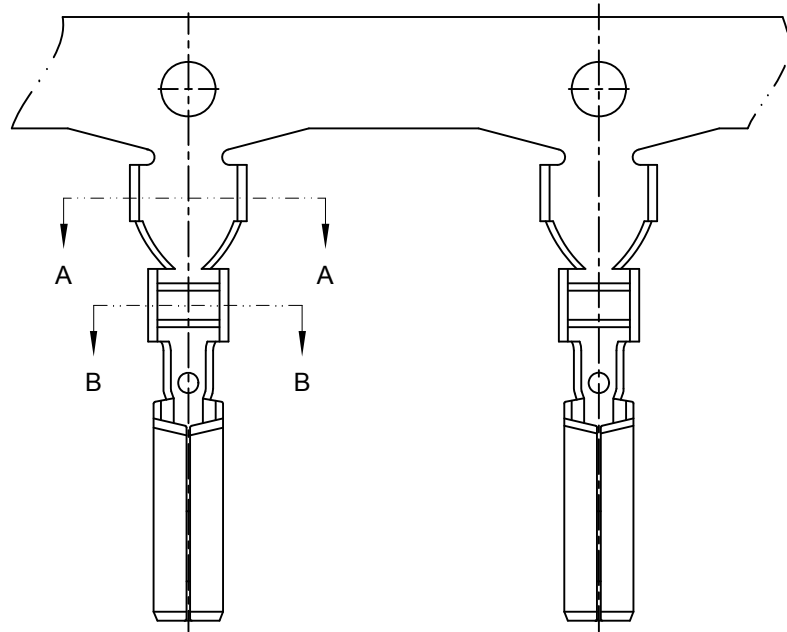
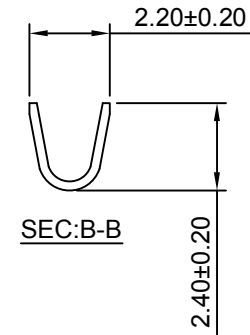


修订 REV	标记 MARK	修改摘要 REVISION DESCRIPTION	签名 SIGNATURE	日期 DATE
AO		NEW RELEASE	WANG	2014-08-11



SEC:A-A



SEC:B-B

Ordering information & Specifications

Unit:mm

Part No	Wire Range	Insulation O.D.	Material	Finish	Qty/reel
HDGC3964-TB	AWG#18-#24	3.20mm(max)	Brass	Tin over Nickel	5,000 PCS
HDGC3964-TP	AWG#18-#24	3.20mm(max)	Phosphor Bronze	Tin over Nickel	5,000 PCS
HDGC3964-GB	AWG#18-#24	3.20mm(max)	Brass	Gold over Nickel	5,000 PCS
HDGC3964-GP	AWG#18-#24	3.20mm(max)	Phosphor Bronze	Gold over Nickel	5,000 PCS

Optional Gold plating available but MOQ requested



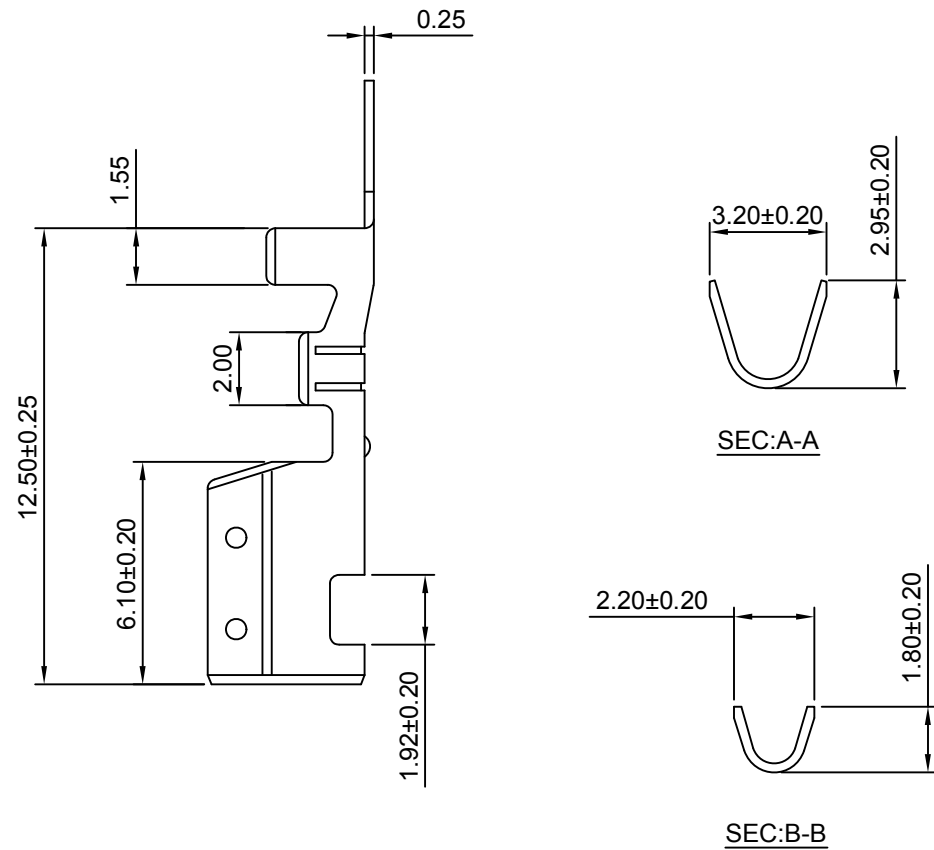
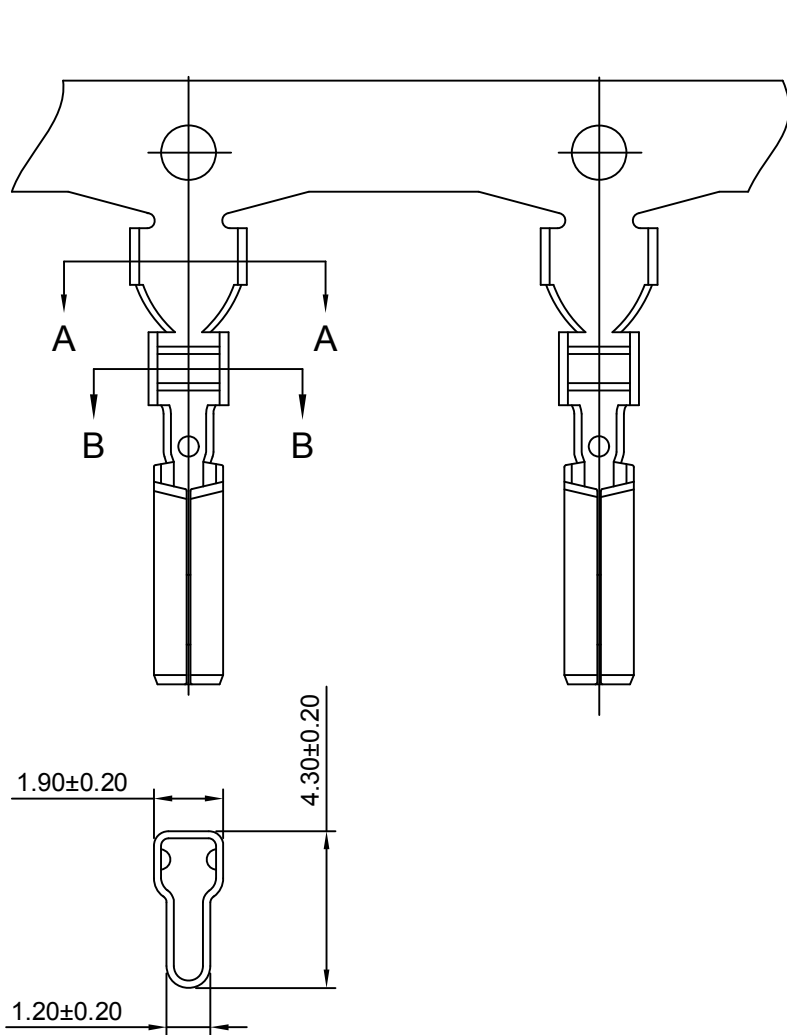
深圳市华德共创科技有限公司

SHENZHEN HUADE CO-CREATE TECHNOLOGY CO.,LTD

TEL : 0755-27129737 FAX : 0755-29940187

-TOLERANCES- UNLESS OTHERWISE SPECIFIED 公差参数表					TITLE: 3.96mm Pitch 产品名称: Crimp Terminal			
X.X	±0.30	X.X°	±3°	APPD: 核准: XIE	PART NO: 产品编号: HDGC3964-T			
X.XX	±0.30	X.XX°	±2°	CHECK: 校对: WANG	DATE	SCALE	UNIT	CODE NUMBER
X.XXX	±0.10	X.XXX°	±1°	DRAW: 绘图: WANG	2014-08-11	5:1	mm	A008

修订 REV	标记 MARK	修改摘要 REVISION DESCRIPTION	签名 SIGNATURE	日期 DATE
AO		NEW RELEASE	WANG	2014-08-11



Ordering information & Specifications

Unit:mm

Part No	Wire Range	Insultion O.D.	Material	Finish	Qty/reel
HDGC3964-TB-L	AWG#22-#28	2.60mm(max)	Brass	Tin over Nickel	5,000 PCS
HDGC3964-TP-L	AWG#22-#28	2.60mm(max)	Phosphor Bronze	Tin over Nickel	5,000 PCS
HDGC3964-GB-L	AWG#22-#28	2.60mm(max)	Brass	Gold over Nickel	5,000 PCS
HDGC3964-GP-L	AWG#22-#28	2.60mm(max)	Phosphor Bronze	Gold over Nickel	5,000 PCS

Optional Gold plating available but MOQ requested



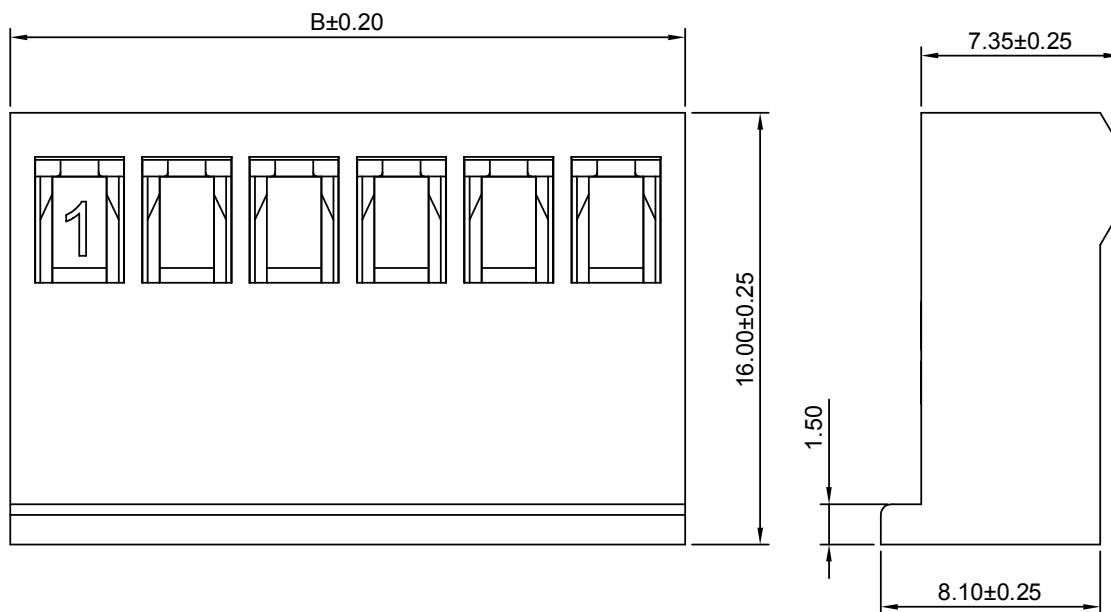
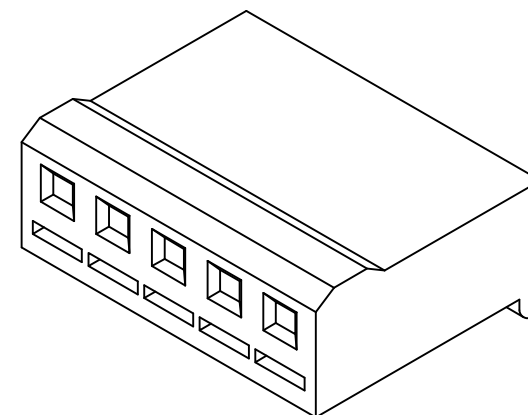
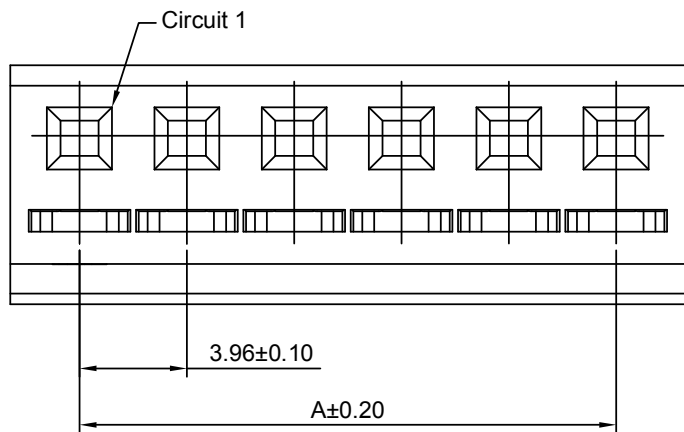
深圳市华德共创科技有限公司

SHENZHEN HUADE CO-CREATE TECHNOLOGY CO.,LTD

TEL : 0755-27129737 FAX : 0755-29940187

-TOLERANCES- UNLESS OTHERWISE SPECIFIED 公差参数表					TITLE: 3.96mm Pitch 产品名称: Crimp Terminal			
X.X	±0.30	X.X°	±3°	APPD: 核准: XIE	PART NO: 产品编号: HDGC3964-T-L			
X.XX	±0.30	X.XX°	±2°	CHECK: 校对: WANG	DATE	SCALE	UNIT	CODE NUMBER
X.XXX	±0.10	X.XXX°	±1°	DRAW: 绘图: WANG	2014-08-11	5:1	mm	A008

修订 REV	标记 MARK	修改摘要 REVISION DESCRIPTION	签名 SIGNATURE	日期 DATE
AO		NEW RELEASE	WANG	2014-08-11



**SPECIFICATIONS:**

Current Rating: 7A AC,DC  
Voltage Rating: 250V AC,DC  
Temperature Range: -25°C ~ +85°C  
Contact Resistance: 10mΩ Max  
Insulation Resistance: 1000MΩ Min  
Withstanding Voltage: 1500V AC/minute  
Material: Nylon 66,UL94V-2(Natural)

**Ordering Information & Dimensions**

Circuits	Dimensions(mm)		Circuits	Dimensions(mm)	
	A	B		A	B
2P	3.96	9.06	8P	27.72	32.82
3P	7.92	13.02	9P	31.68	36.78
4P	11.88	16.98	10P	35.64	40.74
5P	15.84	20.94	11P	39.60	44.70
6P	19.80	24.90	12P	43.56	48.66
7P	23.76	28.86			



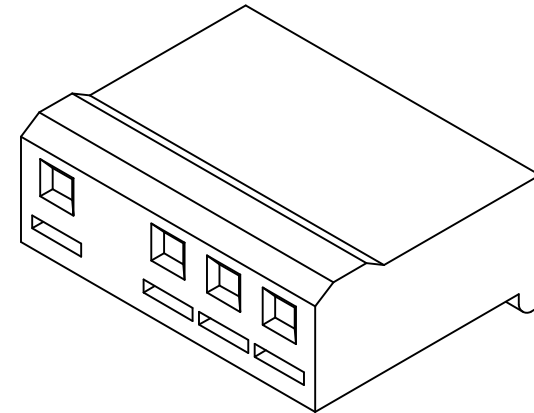
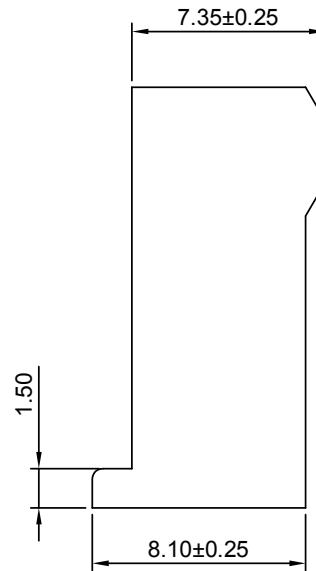
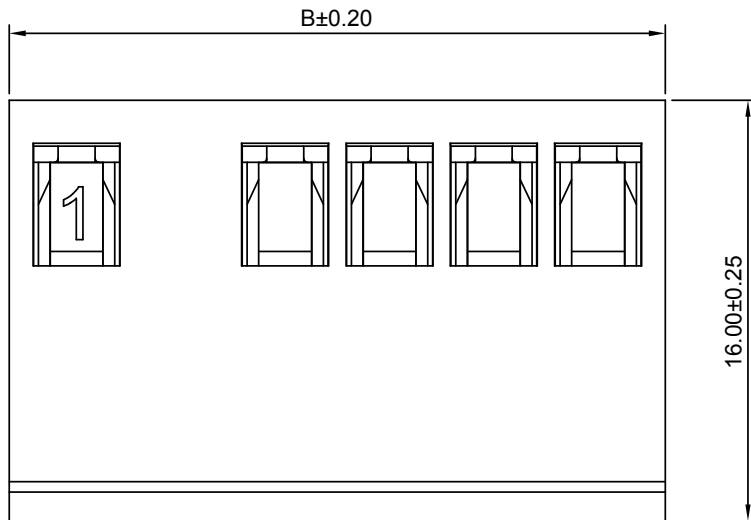
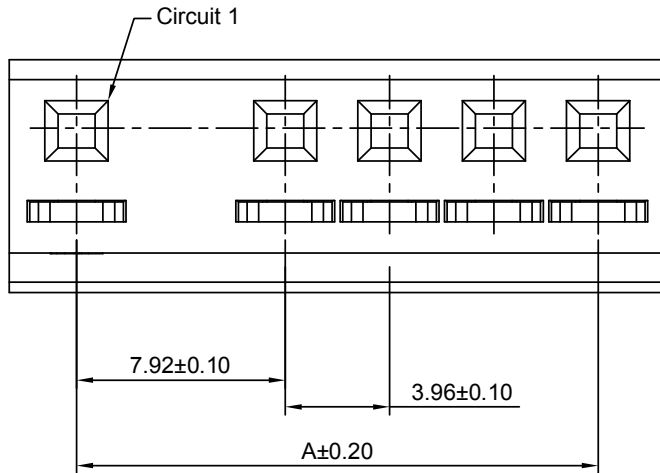
**深圳市华德共创科技有限公司**

SHENZHEN HUADE CO-CREATE TECHNOLOGY CO.,LTD

TEL : 0755-27129737 FAX : 0755-29940187

-TOLERANCES- UNLESS OTHERWISE SPECIFIED 公差参数表				 		TITLE: 3.96mm Pitch Housing 产品名称:			
X.X	±0.30	X.X°	±3°	APPD: 核准:	XIE	PART NO: 产品编号: HDGC3964H-XP			
X.XX	±0.30	X.XX°	±2°	CHECK: 校对:	WANG	DATE	SCALE	UNIT	CODE NUMBER
X.XXX	±0.10	X.XXX°	±1°	DRAW: 绘图:	WANG	2014-08-11	4:1	mm	A008

修订 REV	标记 MARK	修改摘要 REVISION DESCRIPTION	签名 SIGNATURE	日期 DATE
AO		NEW RELEASE	WANG	2014-08-11



**SPECIFICATIONS:**

Current Rating: 7A AC,DC  
Voltage Rating: 250V AC,DC  
Temperature Range: -25°C ~ +85°C  
Contact Resistance: 10mΩ Max  
Insulation Resistance: 1000MΩ Min  
Withstanding Voltage: 1500V AC/minute  
Material: Nylon 66,UL94V-2(Natural)

**Ordering Information & Dimensions**

Circuits	Dimensions(mm)		Circuits	Dimensions(mm)	
	A	B		A	B
2P	3.96	9.06	8P	27.72	32.82
3P	7.92	13.02	9P	31.68	36.78
4P	11.88	16.98	10P	35.64	40.74
5P	15.84	20.94	11P	39.60	44.70
6P	19.80	24.90	12P	43.56	48.66
7P	23.76	28.86			



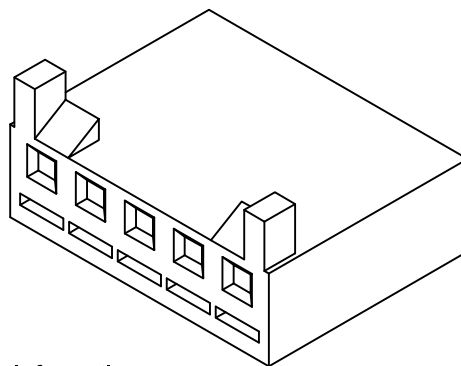
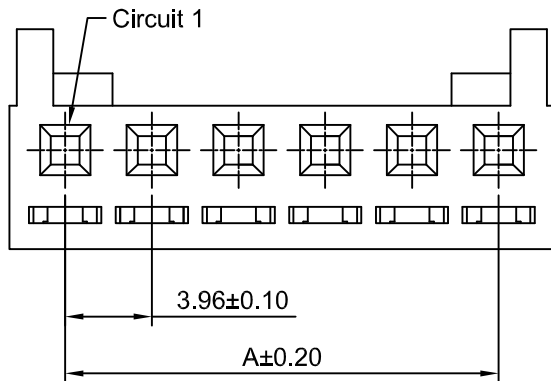
**深圳市华德共创科技有限公司**

SHENZHEN HUADE CO-CREATE TECHNOLOGY CO.,LTD

TEL : 0755-27129737 FAX : 0755-29940187

-TOLERANCES- UNLESS OTHERWISE SPECIFIED 公差参数表						TITLE: 3.96mm Pitch Housing 产品名称:			
X.X	±0.30	X.X°	±3°	APPD: 核准:	XIE	PART NO: 产品编号: HDGC3964H-XP-A			
X.XX	±0.30	X.XX°	±2°	CHECK: 校对:	WANG	DATE	SCALE	UNIT	CODE NUMBER
X.XXX	±0.10	X.XXX°	±1°	DRAW: 绘图:	WANG	2014-08-11	4:1	mm	A008

修订 REV	标记 MARK	修改摘要 REVISION DESCRIPTION	签名 SIGNATURE	日期 DATE
AO		NEW RELEASE	WANG	2014-08-11



**Ordering Information:**

HDGC3964H-XP-B - \*\*\* - \*\*  
1 2 3

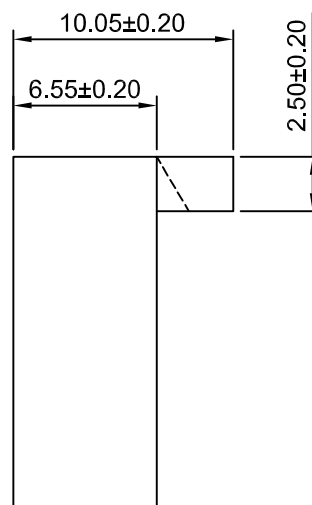
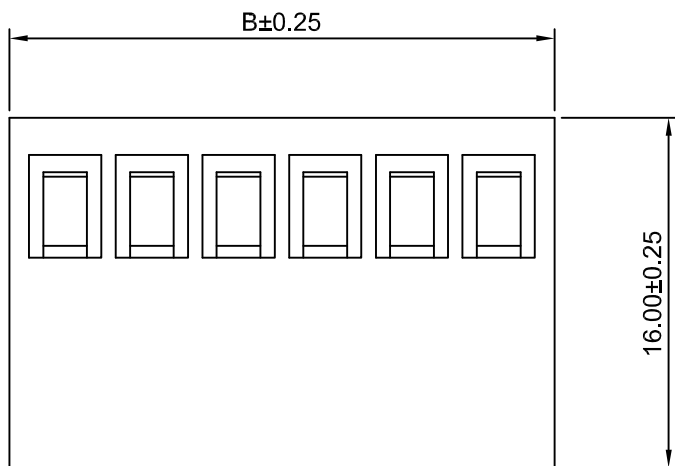
- Part No.
- Material:  
(blank);Nylon 66,UL94V-0  
GWT;Nylon 66,UL94V-0,GWT 750°C
- Color:  
(blank);White  
BK;Black

**SPECIFICATIONS:**

Current Rating: 7A AC,DC  
Voltage Rating: 250V AC,DC  
Temperature Range: -25°C ~ +85°C  
Contact Resistance: 10mΩ Max  
Insulation Resistance: 1000MΩ Min  
Withstanding Voltage: 1500V AC/minute  
Material: Nylon 66,UL94V-0(White)

**Ordering Information & Dimensions**

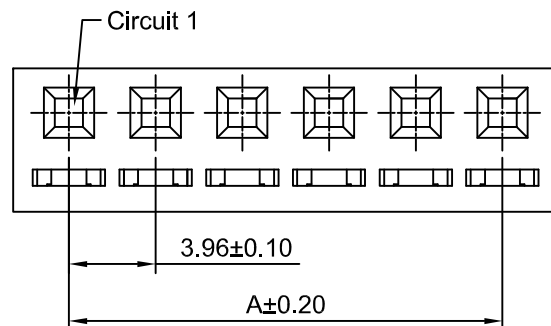
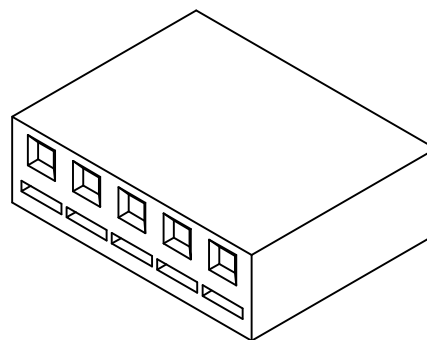
Circuits	Dimensions(mm)		Circuits	Dimensions(mm)	
	A	B		A	B
2P	3.96	9.06	14P	51.48	56.58
3P	7.92	13.02	15P	55.44	60.54
4P	11.88	16.98	16P	59.40	64.50
5P	15.84	20.94	17P	63.36	68.46
6P	19.80	24.90	18P	67.32	72.42
7P	23.76	28.86	19P	71.28	76.38
8P	27.72	32.82	20P	75.24	80.34
9P	31.68	36.78	21P	79.20	84.30
10P	35.64	40.74	22P	83.16	88.26
11P	39.60	44.70	23P	87.12	92.22
12P	43.56	48.66	24P	91.08	96.18
13P	47.52	52.62			



**深圳市华德共创科技有限公司**  
SHENZHEN HUADE CO-CREATE TECHNOLOGY CO.,LTD  
TEL : 0755-27129737 FAX : 0755-29940187

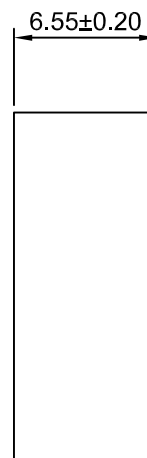
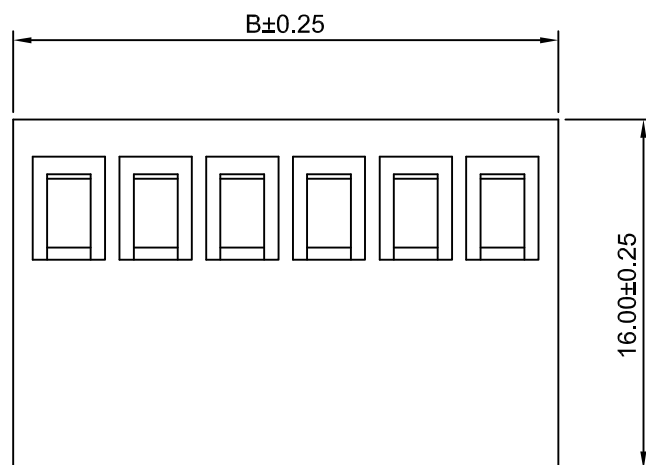
-TOLERANCES- UNLESS OTHERWISE SPECIFIED 公差参数表					TITLE: 3.96mm Pitch Housing 产品名称:					
X.X	±0.30	X.X°	±3°	APPD: 核准:	XIE		PART NO: 产品编号: HDGC3964H-XP-B			
X.XX	±0.30	X.XX°	±2°	CHECK: 校对:	WANG		DATE	SCALE	UNIT	CODE NUMBER
X.XXX	±0.10	X.XXX°	±1°	DRAW: 绘图:	WANG		2014-08-11	3:1	mm	A008

修订 REV	标记 MARK	修改摘要 REVISION DESCRIPTION	签名 SIGNATURE	日期 DATE
AO		NEW RELEASE	WANG	2014-08-11



Ordering Information:  
 HDGC3964H-XP-C -  $\frac{***}{1}$  -  $\frac{**}{2}$  -  $\frac{**}{3}$

- Part No.
- Material:  
 (blank):Nylon 66,UL94V-0  
 GWT:Nylon 66,UL94V-0,GWT 750°C
- Color:  
 (blank):White  
 BK:Black



**SPECIFICATIONS:**

Current Rating: 7A AC,DC  
 Voltage Rating: 250V AC,DC  
 Temperature Range: -25°C ~ +85°C  
 Contact Resistance: 10mΩ Max  
 Insulation Resistance: 1000MΩ Min  
 Withstanding Voltage: 1500V AC/minute  
 Material: Nylon 66,UL94V-0(White)

Ordering Information & Dimensions

Circuits	Dimensions(mm)		Circuits	Dimensions(mm)	
	A	B		A	B
2P	3.96	9.06	14P	51.48	56.58
3P	7.92	13.02	15P	55.44	60.54
4P	11.88	16.98	16P	59.40	64.50
5P	15.84	20.94	17P	63.36	68.46
6P	19.80	24.90	18P	67.32	72.42
7P	23.76	28.86	19P	71.28	76.38
8P	27.72	32.82	20P	75.24	80.34
9P	31.68	36.78	21P	79.20	84.30
10P	35.64	40.74	22P	83.16	88.26
11P	39.60	44.70	23P	87.12	92.22
12P	43.56	48.66	24P	91.08	96.18
13P	47.52	52.62			



深圳市华德共创科技有限公司

SHENZHEN HUADE CO-CREATE TECHNOLOGY CO.,LTD

TEL : 0755-27129737 FAX : 0755-29940187

-TOLERANCES- UNLESS OTHERWISE SPECIFIED 公差参数表					TITLE: 3.96mm Pitch Housing 产品名称:			
X.X	±0.30	X.X° ±3°	APPD: 核准: XIE	PART NO: HDGC3964H-XP-C 产品编号:				
X.XX	±0.30	X.XX° ±2°	CHECK: 校对: WANG	DATE	SCALE	UNIT	CODE NUMBER	
X.XXX	±0.10	X.XXX° ±1°	DRAW: 绘图: WANG	2014-08-11	3:1	mm	A008	