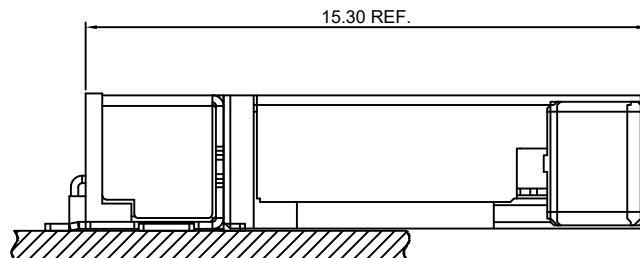


Specifications

- Current rating:0.8A AC,DC
- Voltage rating:200V AC,DC
- Temperature range:-25°C~+85°C
- Contact resistance:50mΩMax.
- Insulation resistance:100MΩMin.
- Withstanding voltage:500V AC/minute
- *Compliant with RoHS and REACH*
- *Meet the HF/Halogen Free,need to customize*
- *Contact HDGC for details*

Assembly layout





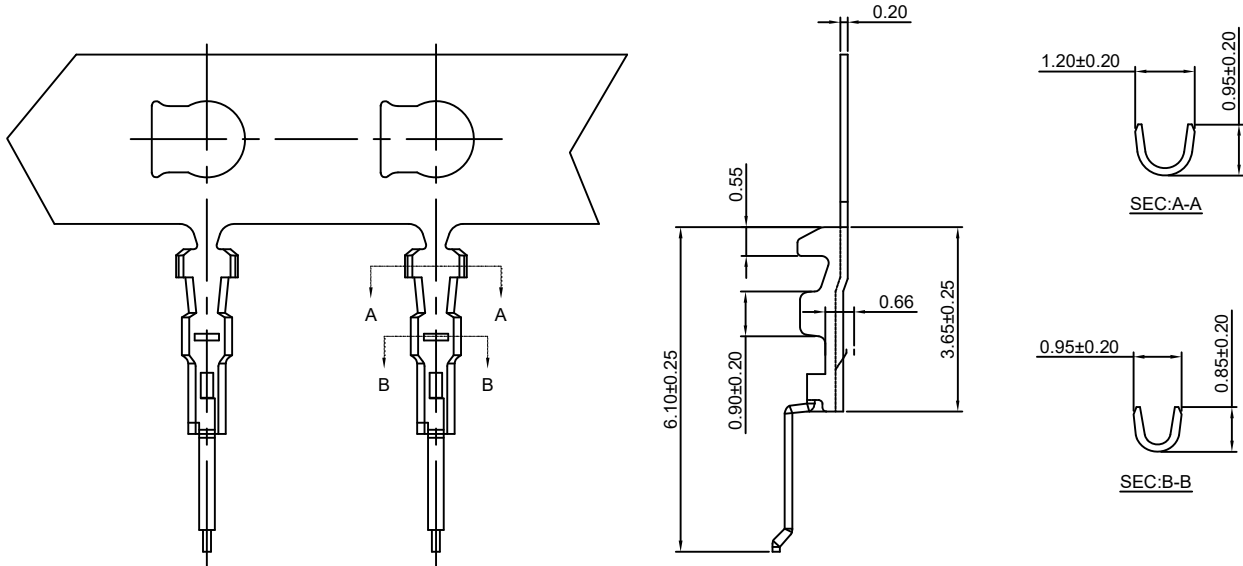
HDGC0501 Series 0.50mm (.020") Pitch IDC Connector

HDGC0501A-T

0.50mm pitch Crimp Terminal

Reference Informations:

*Used in HDGC0501H-XP series Housing



Ordering information & Specifications:

Unit:mm

Part NO.	Wire Range	Insulation O.D.	Material	Finish	Qty/reel
HDGC0501A-GP	AWG#30-#32	0.50mm(max)	Phosphor Bronze	Gold over Nickel	15,000 PCS

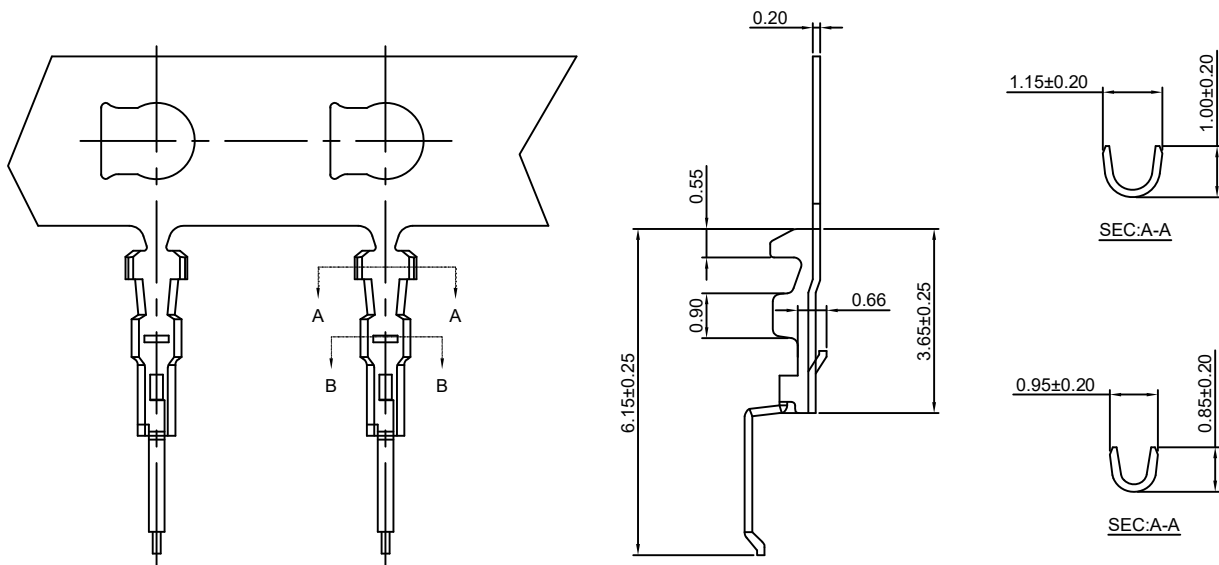
Optional Gold plating available but MOQ requested

HDGC0501B-T

0.50mm pitch Crimp Terminal

Reference Informations:

*Used in HDGC0501H-XP series Housing



Ordering information & Specifications:

Unit:mm

Part NO.	Wire Range	Insulation O.D.	Material	Finish	Qty/reel
HDGC0501B-GP	AWG#30-#32	0.50mm(max)	Phosphor Bronze	Gold over Nickel	15,000 PCS

Optional Gold plating available but MOQ requested



HDGC0501 SERIES



HDGC0501 Series 0.50mm (.020") Pitch IDC Connector

HDGC0501H-XP

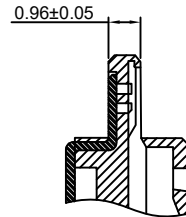
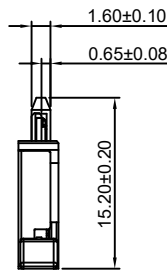
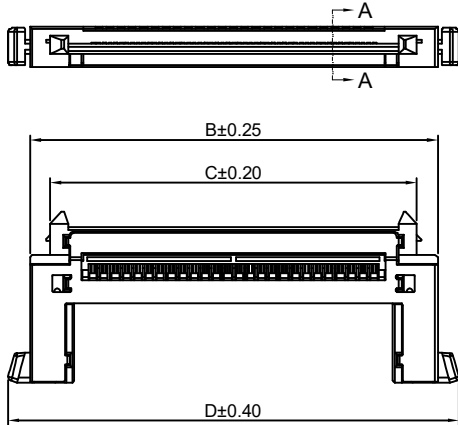
0.50mm pitch Housing

Reference Informations:

- *Material: Insulator:Nylon 46,UL94V-0
Shell:Brass/Tin over Nickel
- *Suitable HDGC0501A-T,HDGC0501B-T series Terminal
- *Mates with HDGC0501WR-S-XP series Wafer
- *Color:Black

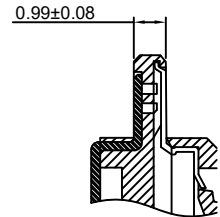
Ordering Information:
 HDGC0501H-XP - ***
 1 2

- 1.Part No.
- 2.Material:
(Blank):Nylon 46,UL94V-0
GWT :Nylon 46,UL94V-0,GWT 750 °C



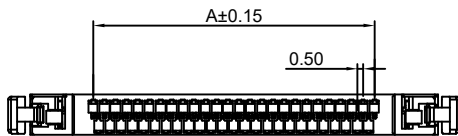
SECTION A-A
SCALE 2:1

Without Terminal



SECTION A-A
SCALE 2:1

With Terminal



Ordering Information & Dimensions:

PART NO.	Dimensions			
	A	B	C	D
41P	20.00	31.50	27.60	36.00
51P	25.00	36.50	32.60	41.00

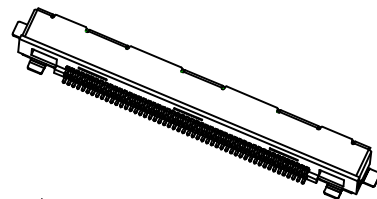
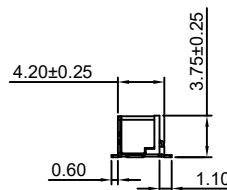
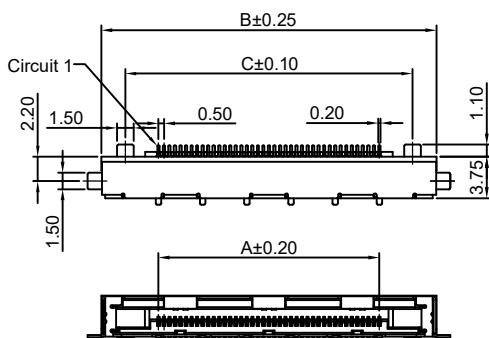
Unit: mm

HDGC0501WR-S-XP

0.50mm pitch 90° Wafer - SMT TYPE

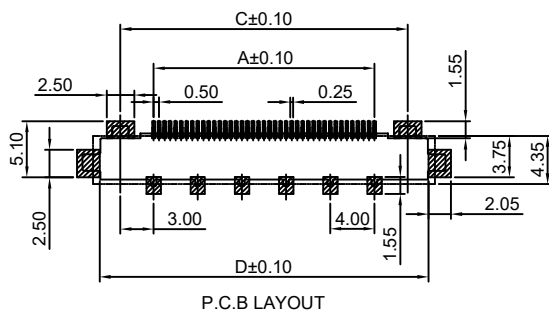
Reference Informations:

- *Material: Pin:Phosphor Bronze/Gold over Nickel
Insulator:Nylon 46,UL94V-0
- *Mates with HDGC0501H-XP series Housing
- *Color:Black



Ordering Information:
 HDGC0501WR-S-XP - ***
 1 2

- 1.Part No.
- 2.Material:
(Blank):Nylon 46,UL94V-0
GWT :Nylon 46,UL94V-0,GWT 750 °C



Ordering Information & Dimensions:

PART NO.	Dimensions			
	A	B	C	D
41P	20.00	30.35	26.00	29.75
51P	25.00	35.35	31.00	34.75

Unit: mm