

Specifications

- Current rating:1.5A AC,DC
- Voltage rating:15V AC,DC
- Temperature range:-25°C~+85°C
- Contact resistance:20mΩMax.
- Insulation resistance:1000MΩMin.
- Withstanding voltage:500V AC/minute
- *Compliant with RoHS and REACH*
- *Meet the HF/Halogen Free,need to customize*
- *Contact HDGC for details*



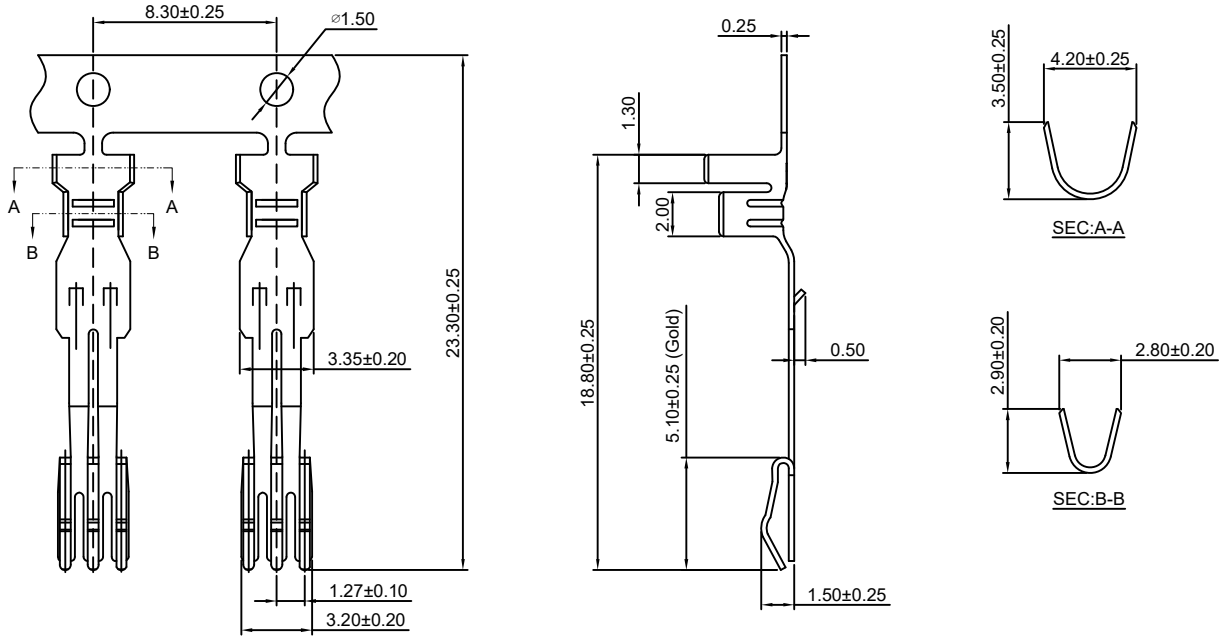
HDGC1271 Series 1.27mm (.050") Pitch Wire to Board Connector

HDGC1271-T

1.27mm pitch Crimp Terminal

Reference Informations:

*Used in HDGC1271H-15P series Housing



Ordering Information & Dimensions:

Unit: mm

Part NO.	Wire Range	Insulation O.D.	Material	Finish	Qty/reel
HDGC1271-GP	AWG#18-#20	2.10mm(max)	Phosphor Bronze	Gold over Nickel	5,000 PCS

HDGC1271H-15P

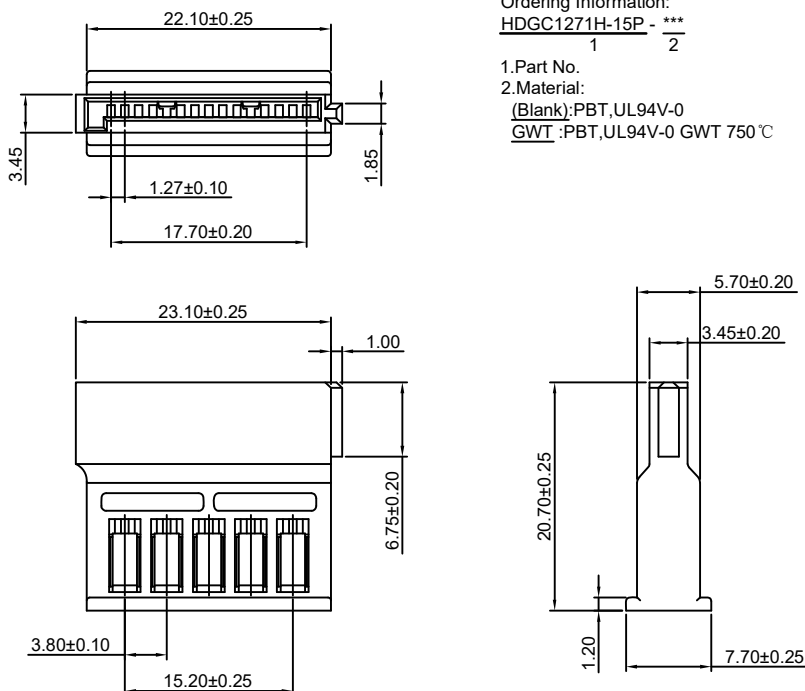
1.27mm pitch Housing

Reference Informations:

*Material: PBT, UL94V-0

*Suitable HDGC1271-T series Terminal

*Color: Black



Ordering Information:

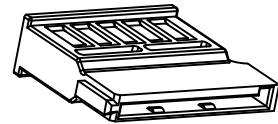
HDGC1271H-15P - ***
1 2

1. Part No.

2. Material:

(Blank): PBT, UL94V-0

GWT : PBT, UL94V-0 GWT 750 °C



Unit: mm

