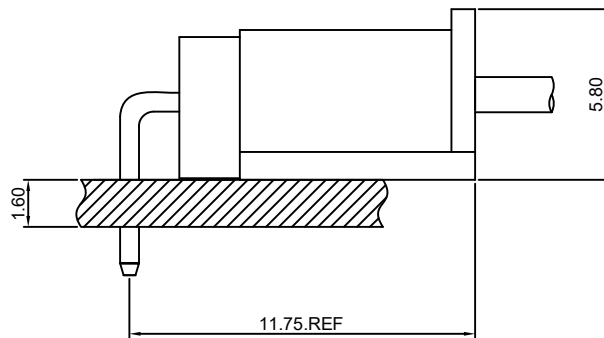
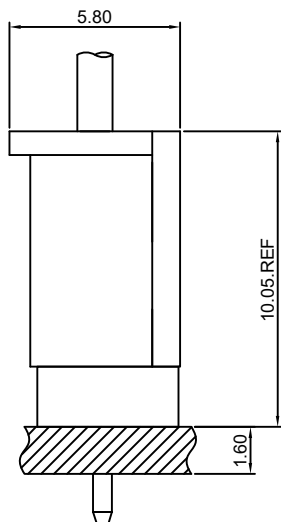


Specifications

- Current rating: 3A AC, DC
- Voltage rating: 250V AC, DC
- Temperature range: -25°C ~ +85°C
- Contact resistance: 10mΩ Max.
- Insulation resistance: 1000MΩ Min.
- Withstanding voltage: 800V AC/minute
- *Compliant with RoHS and REACH*
- *Meet the HF/Halogen Free, need to customize*
- *Contact HDGC for details*

Assembly layout





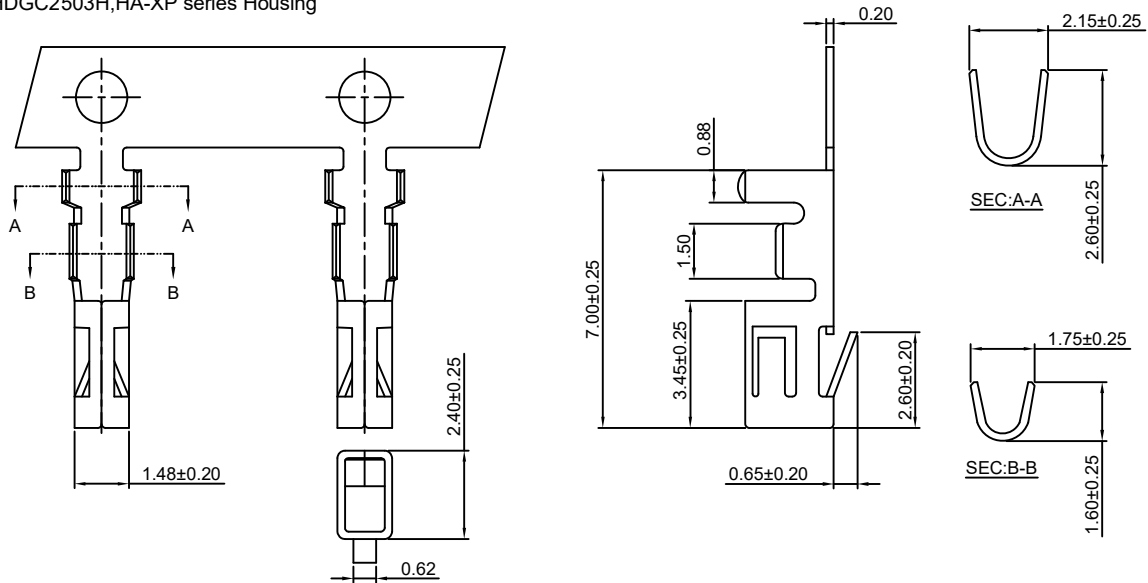
HDGC2503 Series 2.50mm (.098") Pitch Wire to Board Connector

HDGC2503-T

2.50mm pitch Crimp Terminal

Reference Informations:

*Used in HDGC2503H,HA-XP series Housing



Ordering information & Specifications:

Unit:mm

Part NO.	Wire Range	Insulation O.D.	Material	Finish	Qty/reel
HDGC2503-TB	AWG#22-#28	1.75mm(max)	Brass	Tin over Nickel	8,000 PCS
HDGC2503-TP	AWG#22-#28	1.75mm(max)	Phosphor Bronze	Tin over Nickel	8,000 PCS
HDGC2503-GB	AWG#22-#28	1.75mm(max)	Brass	Gold over Nickel	8,000 PCS
HDGC2503-GP	AWG#22-#28	1.75mm(max)	Phosphor Bronze	Gold over Nickel	8,000 PCS

Optional Gold plating available but MOQ requested

HDGC2503H-XP

2.50mm pitch Housing

Reference Informations:

*Material:Nylon 66,UL94V-0

*Suitable HDGC2503-T series Terminal

*Mates with HDGC2503WV,WR-XP series Wafer

*Color:Ivory

Ordering Information:

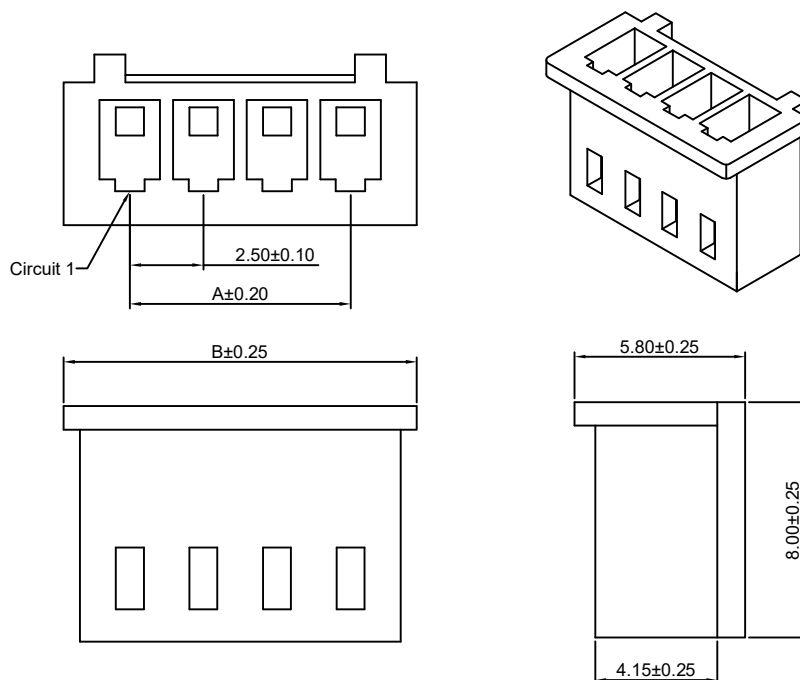
HDGC2503H-XP - ***
1 2

1.Part No.

2.Material:

(Blank):Nylon 66,UL94V-0

GWT :Nylon 66,UL94V-0, GWT 750 °C



Ordering Information & Dimensions

PART NO.	Dimensions	
	A	B
2P	2.50	7.00
3P	5.00	9.50
4P	7.50	12.00
5P	10.00	14.50
6P	12.50	17.00
7P	15.00	19.50
8P	17.50	22.00
9P	20.00	24.50
10P	22.50	27.00
11P	25.00	29.50
12P	27.50	32.00
13P	30.00	34.50
14P	32.50	37.00
15P	35.00	39.50
16P	37.50	42.00
17P	40.00	44.50
18P	42.50	47.00
19P	45.00	49.50
20P	47.50	52.00

Unit: mm



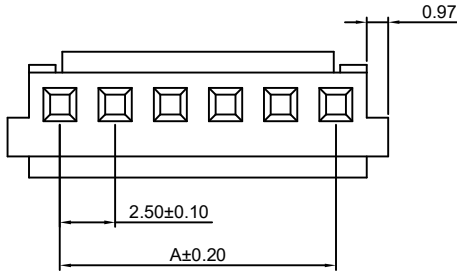
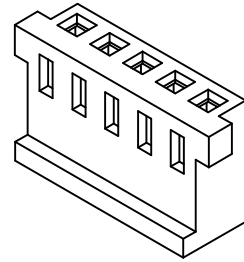
HDGC2503 Series 2.50mm (.098") Pitch Wire to Board Connector

HDGC2503HA-XP

2.50mm pitch Housing

Reference Informations:

- *Material:Nylon 66 , UL94V-0
- *Suitable HDGC2503-T series Terminal
- *Mates with HDGC2503WVA,WRA-XP series Wafer
- *Color:Black



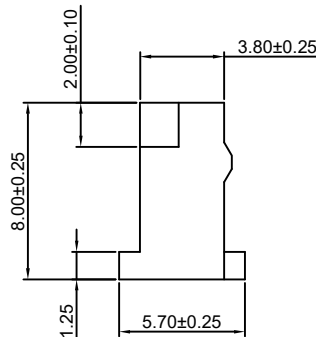
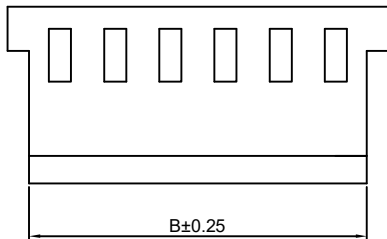
Ordering Information:
HDGC2503HA-XP - ***
1 2

- 1.Part No.
2.Material:
(blank) :Nylon 66, UL94V-0
GWT :Nylon 66, UL94V-0, GWT 750 °C

Ordering Information & Dimensions

PART NO.	Dimensions	
	A	B
2P	2.50	5.30
3P	5.00	7.80
4P	7.50	10.30
5P	10.00	12.80
6P	12.50	15.30
7P	15.00	17.80
8P	17.50	20.30
9P	20.00	22.80
10P	22.50	25.30
11P	25.00	27.80
12P	27.50	30.30
13P	30.00	32.80
14P	32.50	35.30
15P	35.00	37.80
16P	37.50	40.30
17P	40.00	42.80
18P	42.50	45.30
19P	45.00	47.80
20P	47.50	50.30

Unit: mm

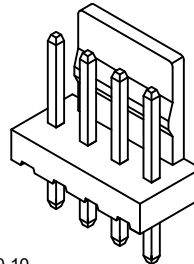


HDGC2503WV-XP

2.50mm pitch 180° Wafer

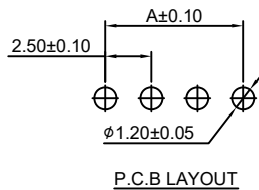
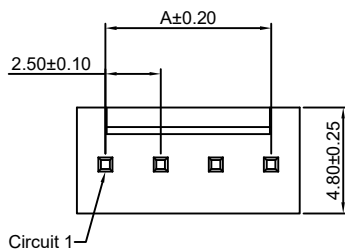
Reference Informations:

- *Material:Pin:Brass/Tin over Nickel
Insulator:Nylon 66,UL94V-0
- *Mates with HDGC2503H-XP series Housing
- *Color:Ivory



Ordering Information:
HDGC2503WV-XP - ***
1 2

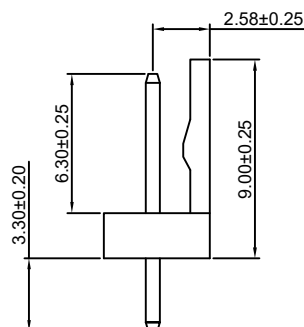
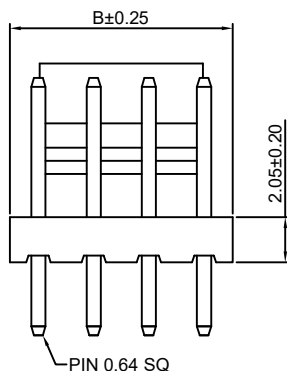
- 1.Part No.
2.Material:
(Blank):Nylon 66,UL94V-0
GWT :Nylon 66,UL94V-0, GWT 750 °C



Ordering Information & Dimensions

PART NO.	Dimensions	
	A	B
2P	2.50	5.00
3P	5.00	7.50
4P	7.50	10.00
5P	10.00	12.50
6P	12.50	15.00
7P	15.00	17.50
8P	17.50	20.00
9P	20.00	22.50
10P	22.50	25.00
11P	25.00	27.50
12P	27.50	30.00
13P	30.00	32.50
14P	32.50	35.00
15P	35.00	37.50
16P	37.50	40.00
17P	40.00	42.50
18P	42.50	45.00
19P	45.00	47.50
20P	47.50	50.00

Unit: mm





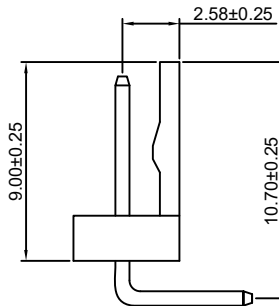
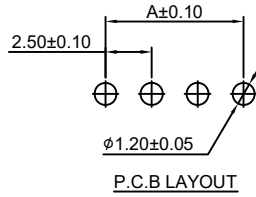
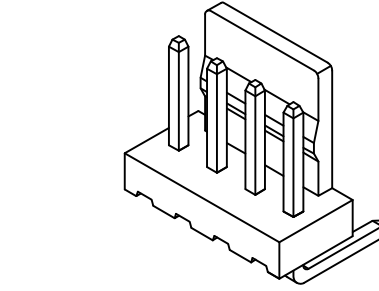
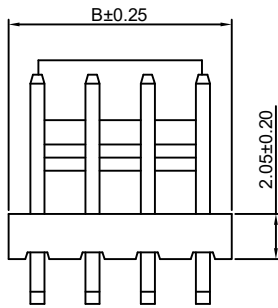
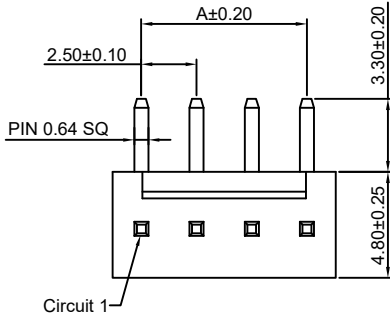
HDGC2503 Series 2.50mm (.098") Pitch Wire to Board Connector

HDGC2503WR-XP

2.50mm pitch 90° Wafer

Reference Informations:

- *Material: Pin: Brass/Tin over Nickel
Insulator: Nylon 66, UL94V-0
- *Mates with HDGC2503H-XP series Housing
- *Color: Ivory



Ordering Information:
HDGC2503WR-XP - ***
1 2

- Part No.
- Material:
(Blank): Nylon 66, UL94V-0
GWT : Nylon 66, UL94V-0, GWT 750 °C

Ordering Information & Dimensions

PART NO.	Dimensions	
	A	B
2P	2.50	5.00
3P	5.00	7.50
4P	7.50	10.00
5P	10.00	12.50
6P	12.50	15.00
7P	15.00	17.50
8P	17.50	20.00
9P	20.00	22.50
10P	22.50	25.00
11P	25.00	27.50
12P	27.50	30.00
13P	30.00	32.50
14P	32.50	35.00
15P	35.00	37.50
16P	37.50	40.00
17P	40.00	42.50
18P	42.50	45.00
19P	45.00	47.50
20P	47.50	50.00

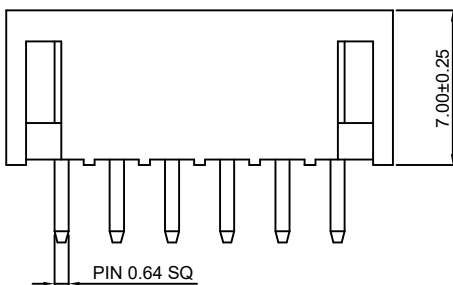
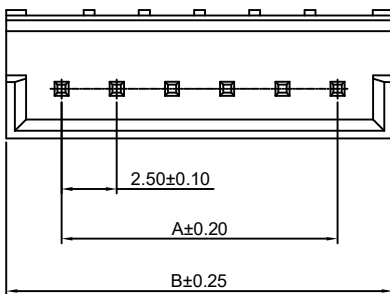
Unit: mm

HDGC2503WVA-XP

2.50mm pitch 180° Wafer

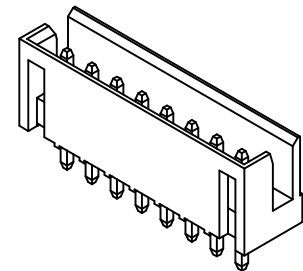
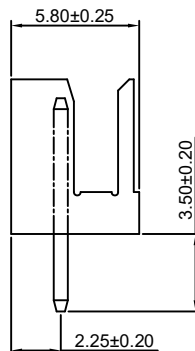
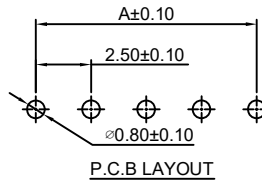
Reference Informations:

- *Material: Pin: Brass/Tin over Nickel
Insulator: PBT 15%GF, UL94V-0
- *Mates with HDGC2503HA-XP series Housing
- *Color: Black



Ordering Information:
HDGC2503WVA-XP - * - ***
1 2 3

- Part No.
- Finish:
(blank) - Tin over Nickel
G - Gold over Nickel
- Material:
(blank) : PBT, UL94V-0
GWT : PBT, UL94V-0, GWT 750 °C



Ordering Information & Dimensions

PART NO.	Dimensions	
	A	B
2P	2.50	7.50
3P	5.00	10.00
4P	7.50	12.50
5P	10.00	15.00
6P	12.50	17.50
7P	15.00	20.00
8P	17.50	22.50
9P	20.00	25.00
10P	22.50	27.50
11P	25.00	30.00
12P	27.50	32.50
13P	30.00	35.00
14P	32.50	37.50
15P	35.00	40.00
16P	37.50	42.50
17P	40.00	45.00
18P	42.50	47.50
19P	45.00	50.00
20P	47.50	52.50

Unit: mm



HDGC2503 Series 2.50mm (.098") Pitch Wire to Board Connector

HDGC2503WRA-XP

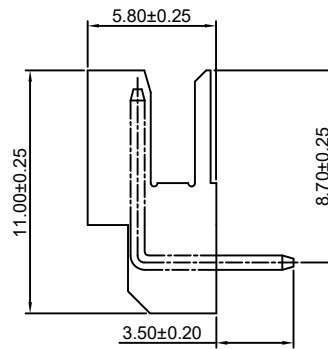
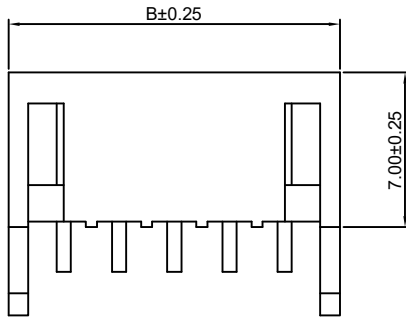
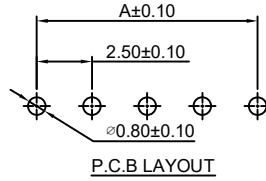
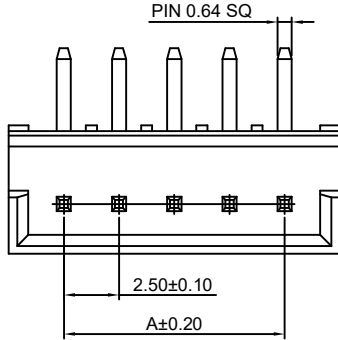
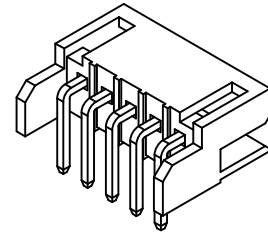
2.50mm pitch 90° Wafer

Reference Informations:

- *Material: Pin: Brass/Tin over Nickel
Insulator: PBT 15%GF ,UL94V-0
- *Mates with HDGC2503HA-XP series Housing
- *Color: Black

Ordering Information:
HDGC2503WRA-XP - * - ***
1 2 3

1. Part No.
2. Finish:
(blank) : Tin over Nickel
G : Gold over Nickel
3. Material:
(blank) : PBT, UL94V-0
GWT : PBT, UL94V-0, GWT 750°C



Ordering Information & Dimensions

PART NO.	Dimensions	
	A	B
2P	2.50	7.50
3P	5.00	10.00
4P	7.50	12.50
5P	10.00	15.00
6P	12.50	17.50
7P	15.00	20.00
8P	17.50	22.50
9P	20.00	25.00
10P	22.50	27.50
11P	25.00	30.00
12P	27.50	32.50
13P	30.00	35.00
14P	32.50	37.50
15P	35.00	40.00
16P	37.50	42.50
17P	40.00	45.00
18P	42.50	47.50
19P	45.00	50.00
20P	47.50	52.50

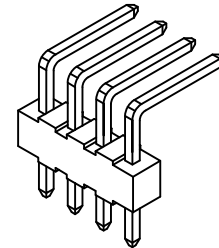
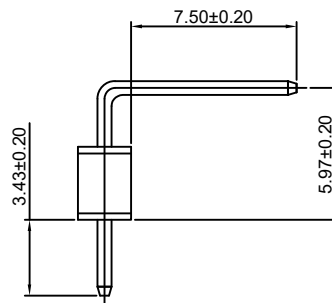
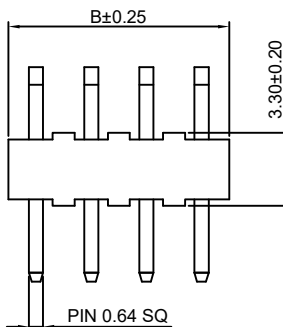
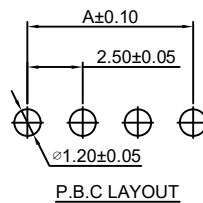
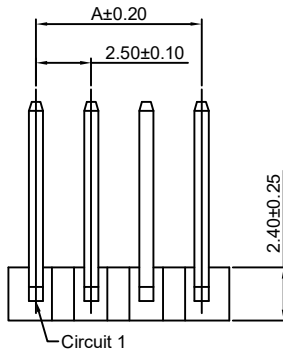
Unit: mm

HDGC2503WRB-XP

2.50mm pitch 90° Wafer

Reference Informations:

- *Material: Pin: Brass/Tin over Nickel
Insulator: Nylon 66 ,UL94V-0
- *Color: Ivory



Ordering Information & Dimensions

PART NO.	Dimensions	
	A	B
2P	2.50	5.00
3P	5.00	7.50
4P	7.50	10.00
5P	10.00	12.50
6P	12.50	15.00
7P	15.00	17.50
8P	17.50	20.00
9P	20.00	22.50
10P	22.50	25.00
11P	25.00	27.50
12P	27.50	30.00
13P	30.00	32.50
14P	32.50	35.00
15P	35.00	37.50
16P	37.50	40.00
17P	40.00	42.50
18P	42.50	45.00
19P	45.00	47.50
20P	47.50	50.00

Unit: mm