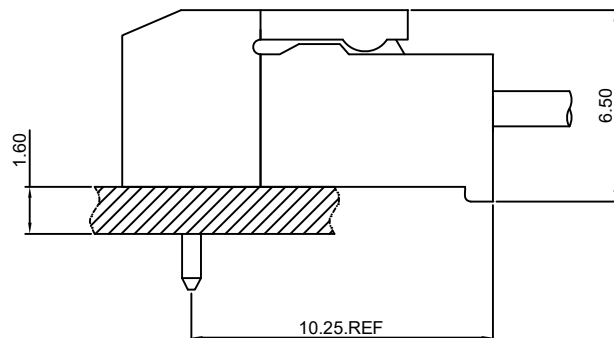
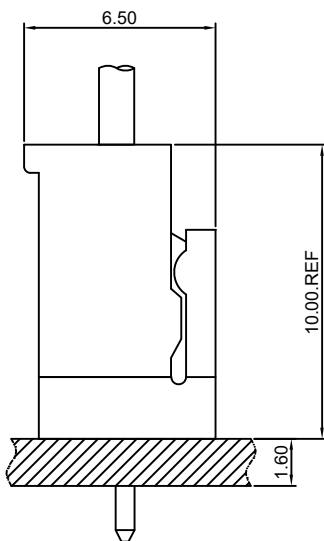


Specifications

- Current rating: 3A AC, DC
- Voltage rating: 250V AC, DC
- Temperature range: -25°C ~ +85°C
- Contact resistance: 20mΩ Max.
- Insulation resistance: 1000MΩ Min.
- Withstanding voltage: 1500V AC/minute
- *Compliant with RoHS and REACH*
- *Meet the HF/Halogen Free, need to customize*
- *Contact HDGC for details*

Assembly layout





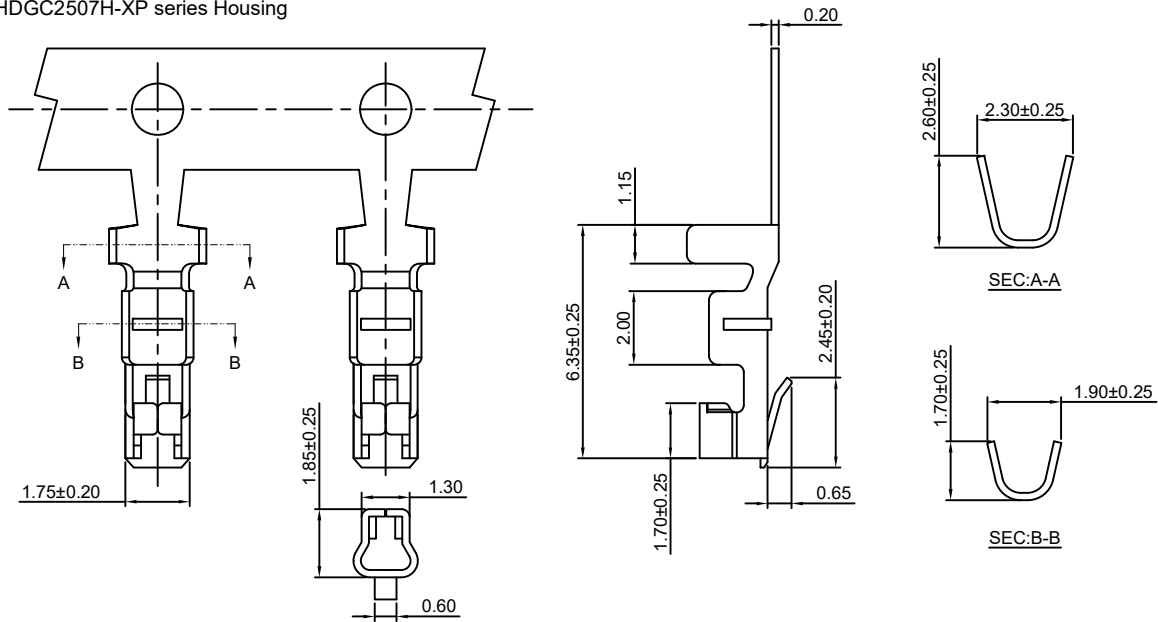
HDGC2507 Series 2.50mm (.098") Pitch Wire to Board Connector

HDGC2507-T

2.50mm pitch Crimp Terminal

Reference Informations:

*Used in HDGC2507H-XP series Housing



Ordering information & Specifications:

Unit:mm

Part NO.	Wire Range	Insulation O.D.	Material	Finish	Qty/reel
HDGC2507-TP	AWG#22-#28	1.90mm(max)	Phosphor Bronze	Tin over Nickel	10,000 PCS
HDGC2507-GP	AWG#22-#28	1.90mm(max)	Phosphor Bronze	Gold over Nickel	10,000 PCS

Optional Gold plating available but MOQ requested



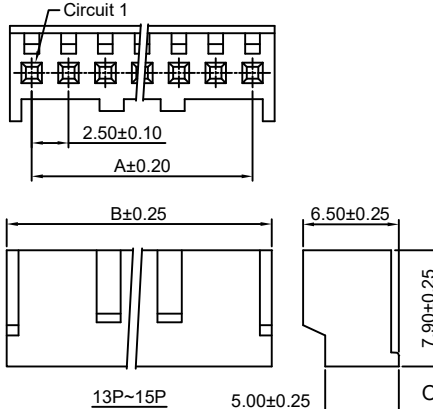
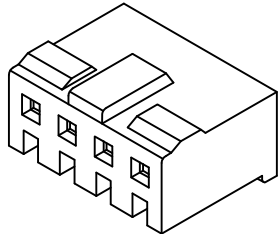
HDGC2507 Series 2.50mm (.098") Pitch Wire to Board Connector

HDGC2507H-XP

2.50mm pitch Housing

Reference Informations:

- *Material:Nylon 66,UL94V-0
- *Suitable HDGC2507-T series Terminal
- *Mates with HDGC2507WV,WR,WR-S-XP series Wafer and HDGC2507HM-2P Housing
- *Color:Brown



Ordering Information:

- HDGC2507H-XP - * - ***
 $\frac{1}{2} \frac{3}{3}$
- 1.Part No.
 - 2.Style:
(blank)-Type 1
2-Type 2
 - 3.Material:
(Blank):Nylon 66,UL94V-0
GWT:Nylon 66,UL94V-0 GWT 750 °C

Ordering Information & Dimensions:

PART NO.	Dimensions	
	A	B
2P	2.50	5.50
3P	5.00	8.00
4P	7.50	10.50
5P	10.00	13.00
6P	12.50	15.50
7P	15.00	18.00
8P	17.50	20.50
9P	20.00	23.00
10P	22.50	25.50
11P	25.00	28.00
12P	27.50	30.50
13P	30.00	33.00
14P	32.50	35.50
15P	35.00	38.00

Unit: mm

HDGC2507HM-2P

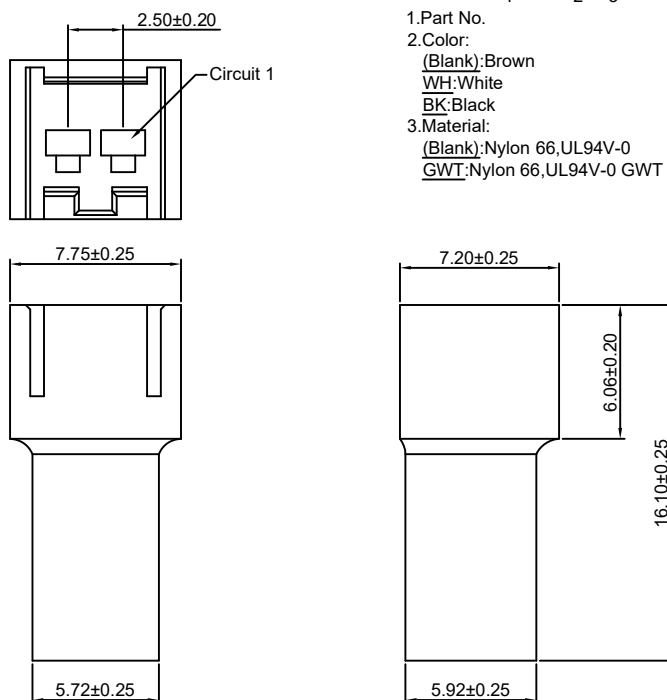
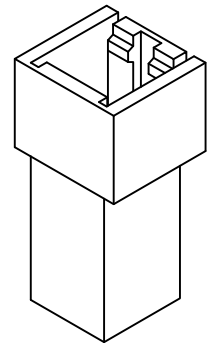
2.50mm pitch Housing

Reference Informations:

- *Material:Nylon 66,UL94V-0
- *Suitable HDGC2501M-T series Terminal
- *Mates with HDGC2507H-2P Housing
- *Color:Brown

Ordering Information:

- HDGC2507HM-2P - ** - ***
 $\frac{1}{2} \frac{3}{3}$
- 1.Part No.
 - 2.Color:
(Blank):Brown
WH:White
BK:Black
 - 3.Material:
(Blank):Nylon 66,UL94V-0
GWT:Nylon 66,UL94V-0 GWT 750 °C



Unit: mm



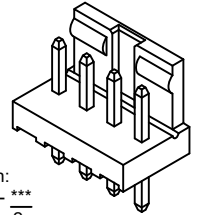
HDGC2507 Series 2.50mm (.098") Pitch Wire to Board Connector

HDGC2507WV-XP

2.50mm pitch 180° Wafer

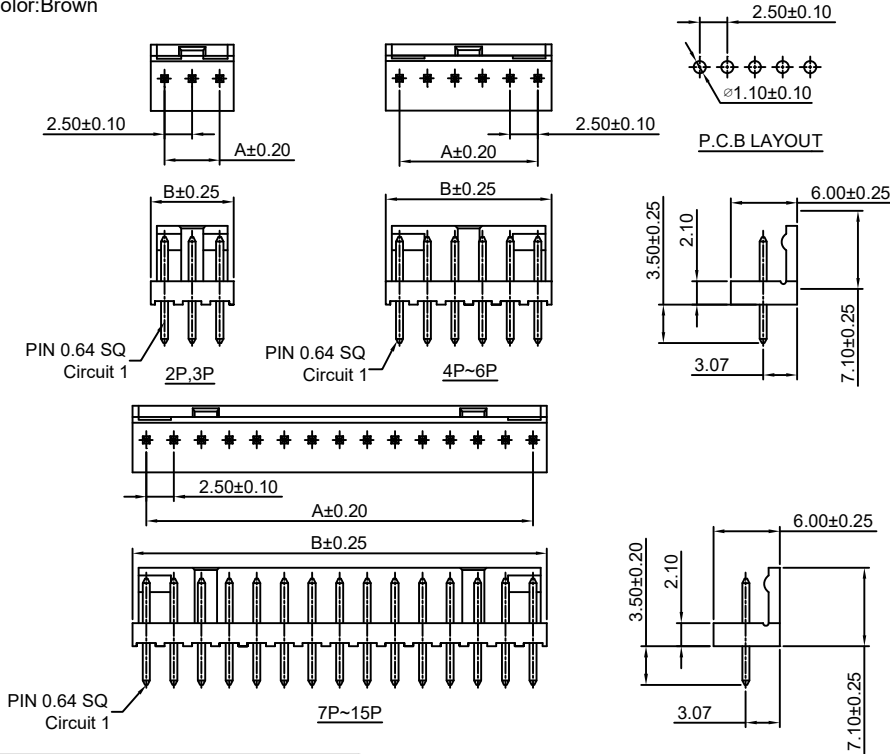
Reference Informations:

- *Material:Pin:Brass/Tin over Nickel
Insulator:Nylon 66,UL94V-0
- *Mates with HDGC2507H-XP series Housing
- *Color:Brown



Ordering Information:
HDGC2507WV-XP - ***
1 2

- 1.Part No.
- 2.Material:
(Blank):Nylon 66,UL94V-0
GWT :Nylon 66,UL94V-0 GWT 750 °C



Ordering Information & Dimensions:

PART NO.	Dimensions	
	A	B
2P	2.50	5.00
3P	5.00	7.50
4P	7.50	10.00
5P	10.00	12.50
6P	12.50	15.00
7P	15.00	17.50
8P	17.50	20.00
9P	20.00	22.50
10P	22.50	25.00
11P	25.00	27.50
12P	27.50	30.00
13P	30.00	32.50
14P	32.50	35.00
15P	35.00	37.50

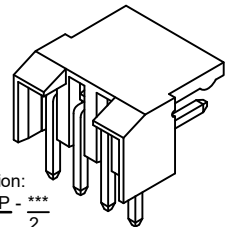
Unit: mm

HDGC2507WR-XP

2.00mm pitch 90° Wafer

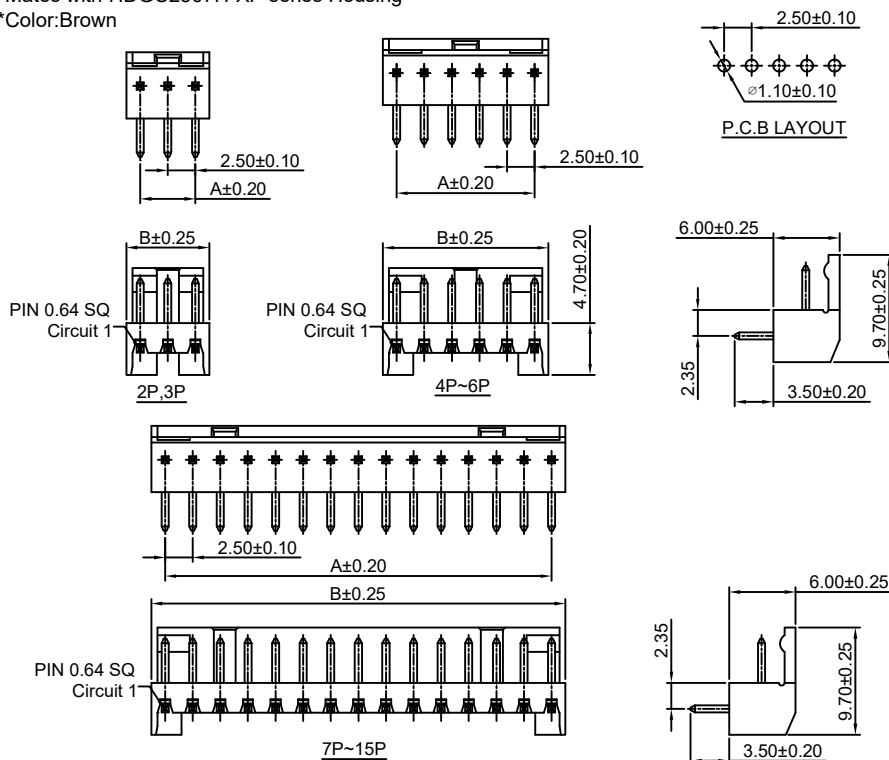
Reference Informations:

- *Material:Pin:Brass/Tin over Nickel
Insulator:Nylon 66,UL94V-0
- *Mates with HDGC2507H-XP series Housing
- *Color:Brown



Ordering Information:
HDGC2507WR-XP - ***
1 2

- 1.Part No.
- 2.Material:
(Blank):Nylon 66,UL94V-0
GWT :Nylon 66,UL94V-0 GWT 750 °C



Ordering Information & Dimensions:

PART NO.	Dimensions	
	A	B
2P	2.50	5.00
3P	5.00	7.50
4P	7.50	10.00
5P	10.00	12.50
6P	12.50	15.00
7P	15.00	17.50
8P	17.50	20.00
9P	20.00	22.50
10P	22.50	25.00
11P	25.00	27.50
12P	27.50	30.00
13P	30.00	32.50
14P	32.50	35.00
15P	35.00	37.50

Unit: mm



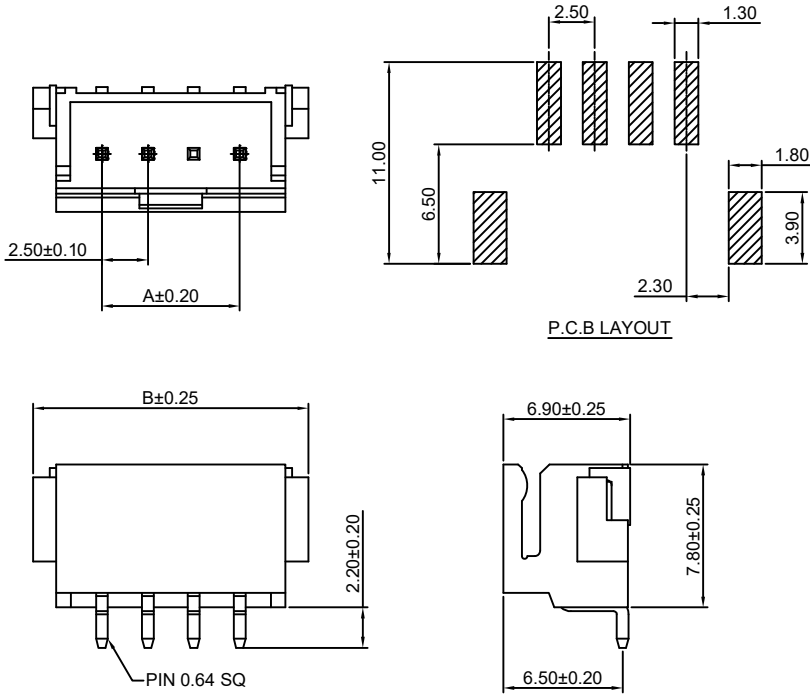
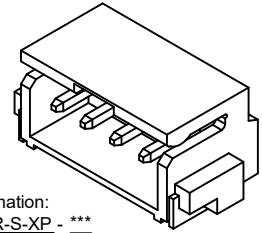
HDGC2507 Series 2.50mm (.098") Pitch Wire to Board Connector

HDGC2507WR-S-XP

2.50mm pitch 90° Wafer - SMT TYPE

Reference Informations:

- *Material: Pin: Brass/Tin over Nickel
Insulator: Nylon 6T, UL94V-0
- *Mates with HDGC2507H-XP series Housing
- *Color: Ivory



Ordering Information:
 HDGC2507WR-S-XP - ***
 1 2

- 1. Part No.
- 2. Material:
 (Blank): Nylon 6T, UL94V-0
 GWT : Nylon 6T, UL94V-0 GWT 750°C

Ordering Information & Dimensions:

PART NO.	Dimensions	
	A	B
2P	2.50	5.00
3P	5.00	7.50
4P	7.50	10.00
5P	10.00	12.50
6P	12.50	15.00
7P	15.00	17.50
8P	17.50	20.00
9P	20.00	22.50
10P	22.50	25.00
11P	25.00	27.50
12P	27.50	30.00
13P	30.00	32.50
14P	32.50	35.00
15P	35.00	37.50

Unit: mm