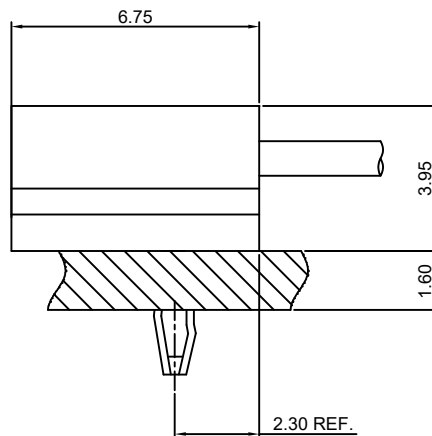


Specifications

- Current rating: 3A AC, DC
- Voltage rating: 125V AC, DC
- Temperature range: -25°C ~ +85°C
- Contact resistance: 5mΩ Max.
- Insulation resistance: 1000MΩ Min.
- Withstanding voltage: 1000V AC/minute
- *Compliant with RoHS and REACH*
- *Meet the HF/Halogen Free, need to customize*
- *Contact HDGC for details*

Assembly layout





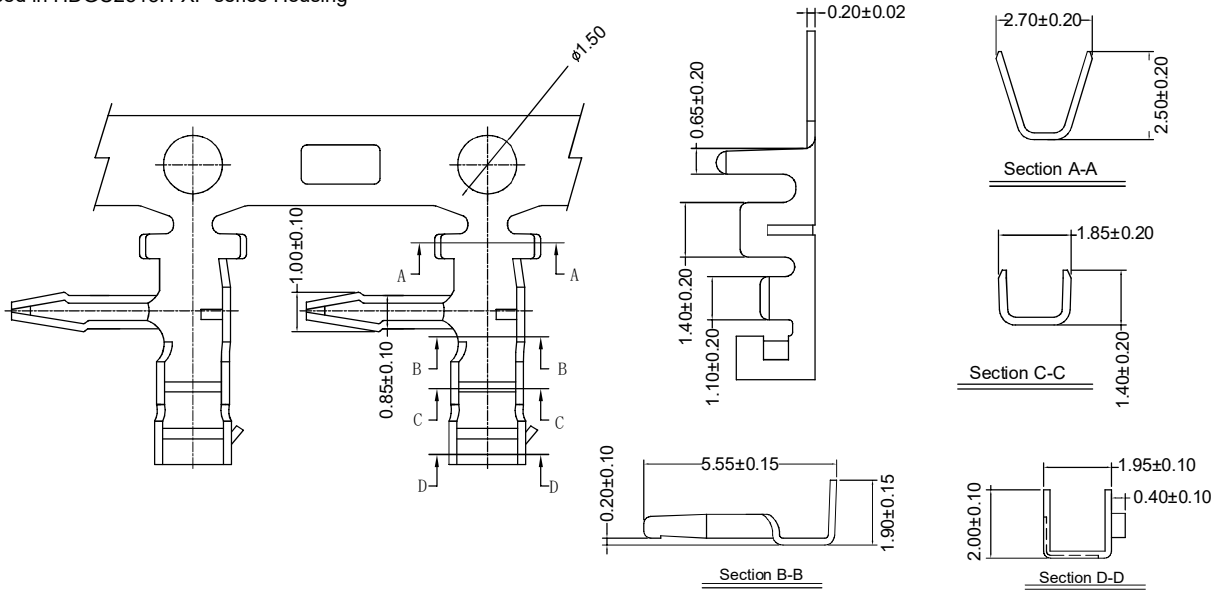
HDGC2513 Series 2.50mm (.098") Pitch Board-in Connector

HDGC2513-T

2.50mm pitch Crimp Terminal

Reference Informations:

*Used in HDGC2513H-XP series Housing



Ordering information & Specifications:

Unit:mm

Part NO.	Wire Range	Insulation O.D.	Material	Finish	Qty/reel
HDGC2513-TB	AWG#22-#28	1.70mm(max)	Brass	Tin over Nickel	10,000 PCS
HDGC2513-TP	AWG#22-#28	1.70mm(max)	Phosphor Bronze	Tin over Nickel	10,000 PCS
HDGC2513-GB	AWG#22-#28	1.70mm(max)	Brass	Gold over Nickel	10,000 PCS
HDGC2513-GP	AWG#22-#28	1.70mm(max)	Phosphor Bronze	Gold over Nickel	10,000 PCS

Optional Gold plating available but MOQ requested

HDGC2513H-XP

2.50mm pitch Housing

Reference Informations:

*Material:Nylon 66,UL94V-0

*Suitable HDGC2513-T series Terminal

*Color:Natural(white)

Ordering Information:

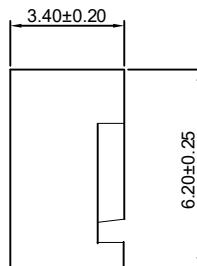
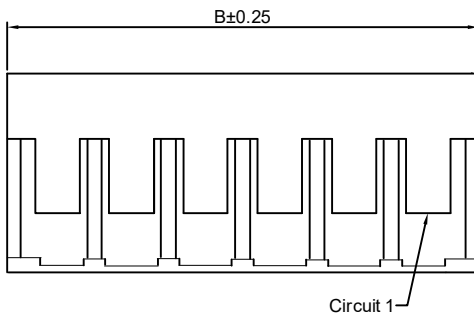
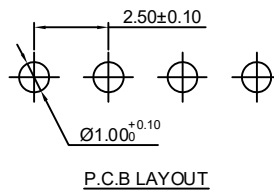
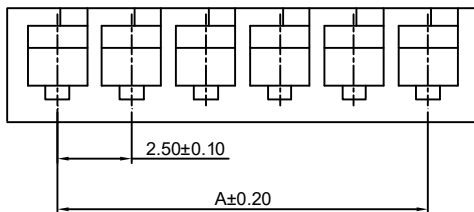
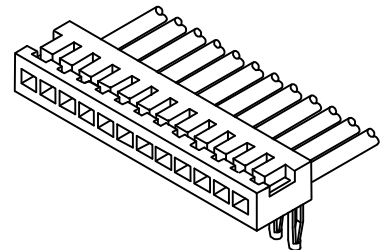
HDGC2513H-XP - ***
1 2

1.Part No.

2.Material:

(blank):Nylon 66,UL94V-0

GWT:Nylon 66,UL94V-0,GWT 750°C



Circuit 1

Ordering Information & Dimensions:

PART NO.	Dimensions	
	A	B
2P	2.50	5.60
3P	5.00	8.10
4P	7.50	10.60
5P	10.00	13.10
6P	12.50	15.60
7P	15.00	18.10
8P	17.50	20.60
9P	20.00	23.10
10P	22.50	25.60
11P	25.00	28.10
12P	27.50	30.60
13P	30.00	33.10
14P	32.50	35.60
15P	35.00	38.10
16P	37.50	40.60

Unit: mm