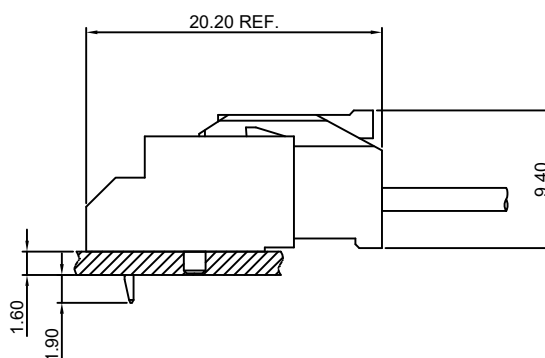
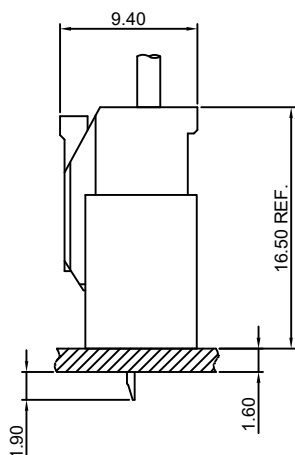


Specifications

- Current rating: 5.5A AC, DC (Max)
- Voltage rating: 250V AC, DC
- Temperature range: -25°C ~ +85°C
- Contact resistance: 10mΩ Max.
- Insulation resistance: 1000MΩ Min.
- Withstanding voltage: 1500V AC/minute
- *Compliant with RoHS and REACH*
- *Meet the HF/Halogen Free, GWT/Glow wire Test (IEC60335-1) request, need to customize*
- *Contact HDGC for details*

Assembly layout





HDGC3502 Series 3.50mm (.138") Pitch Wire to Board Connector

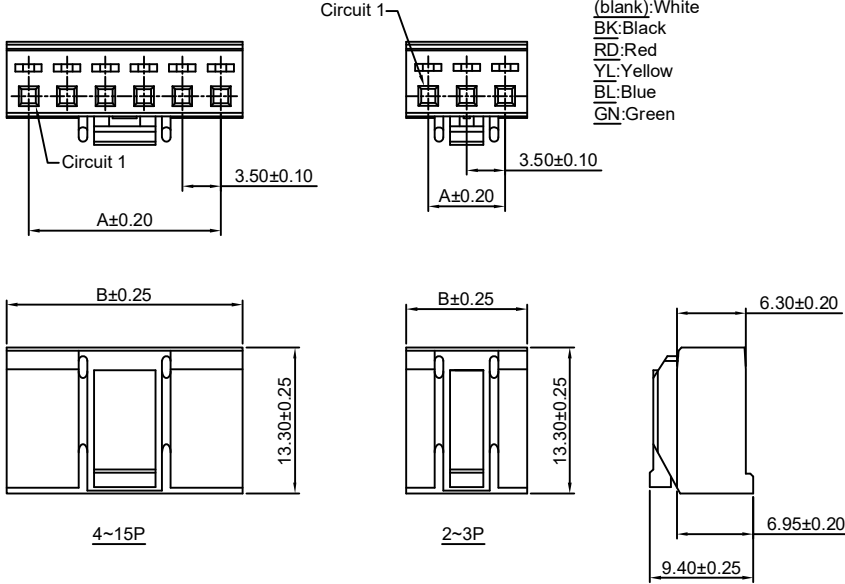
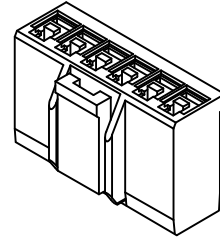
HDGC3502H-XP

3.50mm Pitch Housing

Reference Informations:

- *Material:Nylon 66,UL94V-0
- *Suitable HDGC3965-T series Terminal
- *Mates with HDGC3502WV,WR-XP(-A) series Wafer
- *Color:White

- Ordering Information:
HDGC3502H-XP - *** - **
 1 2 3
- Part No.
 - Material:
 (blank):Nylon 66,UL94V-0
 PBT:PBT,UL94V-0
 GWT:Nylon 66,UL94V-0,GWT 750°C
 - Color:
 (blank):White
 BK:Black
 RD:Red
 YL:Yellow
 BL:Blue
 GN:Green



Ordering Information & Dimensions:

PART NO.	Dimensions	
	A	B
2P	3.50	7.50
3P	7.00	11.00
4P	10.50	14.50
5P	14.00	18.00
6P	17.50	21.50
7P	21.00	25.00
8P	24.50	28.50
9P	28.00	32.00
10P	31.50	35.50
11P	35.00	39.00
12P	38.50	42.50
13P	42.00	46.00
14P	45.50	49.50
15P	49.00	53.00

Unit: mm

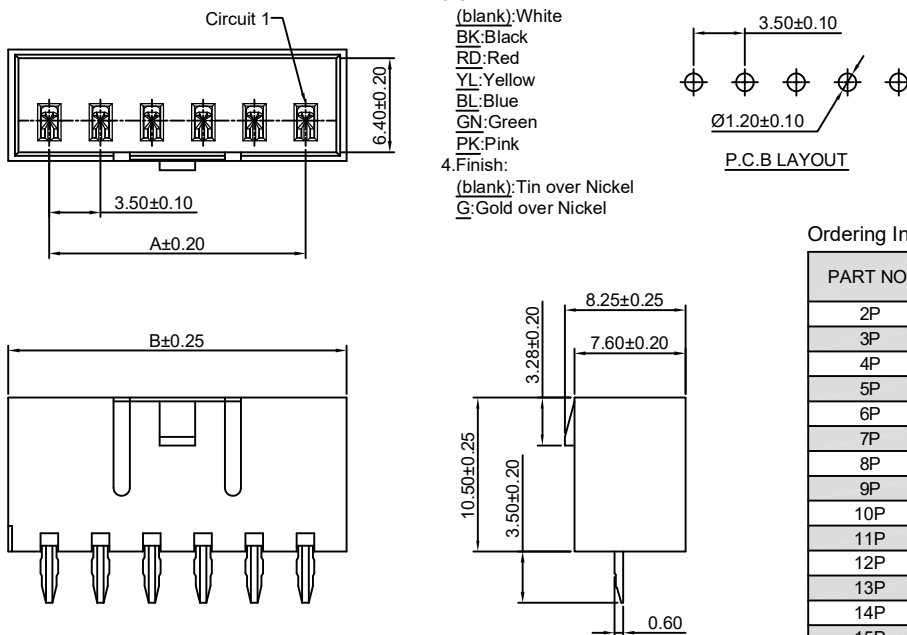
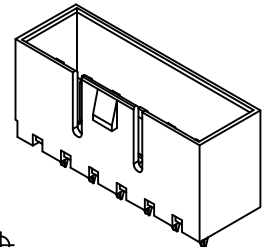
HDGC3502WV-XP

3.50mm Pitch 180° WAFER

Reference Informations:

- *Material:Pin:Brass/Tin over Nickel
Insulator:PBT+15%GF,UL94V-0
- *Mates with HDGC3502H-XP series Housing
- *Color:White

- Ordering Information:
HDGC3502WV-XP - *** - ** - **
 1 2 3 4
- Part No.
 - Material:
 (blank):PBT+15%GF,UL94V-0
 GWT:PBT,UL94V-0,GWT 750°C
 - Color:
 (blank):White
 BK:Black
 RD:Red
 YL:Yellow
 BL:Blue
 GN:Green
 PK:Pink
 - Finish:
 (blank):Tin over Nickel
 G:Gold over Nickel



Ordering Information & Dimensions:

PART NO.	Dimensions	
	A	B
2P	3.50	9.10
3P	7.00	12.60
4P	10.50	16.10
5P	14.00	19.60
6P	17.50	23.10
7P	21.00	26.60
8P	24.50	30.10
9P	28.00	33.60
10P	31.50	37.10
11P	35.00	40.60
12P	38.50	44.10
13P	42.00	47.60
14P	45.50	51.10
15P	49.00	54.60

Unit: mm



HDGC3502 Series 3.50mm (.138") Pitch Wire to Board Connector

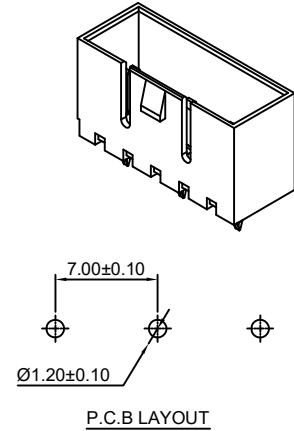
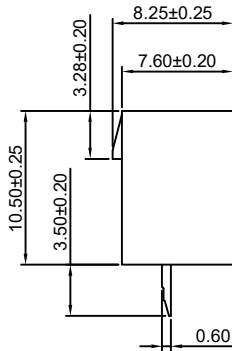
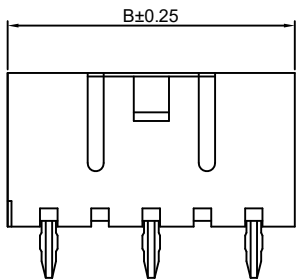
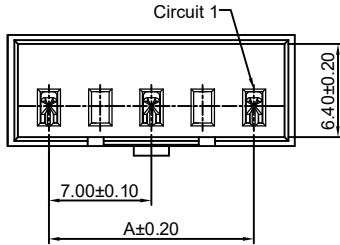
HDGC3502WV-XP-A

7.00mm Pitch 180° WAFER

Reference Informations:

- *Material: Pin: Brass/Tin over Nickel
Insulator: PBT+15%GF, UL94V-0
- *Mates with HDGC3502H-XP series Housing
- *Color: White

- Ordering Information:
HDGC3502WV-XP-A - ^{***}/₁ - ^{**}/₂ - ^{**}/₃ - ^{**}/₄
1. Part No.
 2. Material:
(blank): PBT+15%GF, UL94V-0
GWT: PBT, UL94V-0, GWT 750°C
 3. Color:
(blank): White
BK: Black
RD: Red
YL: Yellow
BL: Blue
GN: Green
PK: Pink
 4. Finish:
(blank): Tin over Nickel
G: Gold over Nickel



Ordering Information & Dimensions:

PART NO.	Dimensions	
	A	B
3P	7.00	12.60
5P	14.00	19.60
7P	21.00	26.60
9P	28.00	33.60
11P	35.00	40.60
13P	42.00	47.60
15P	49.00	54.60

Unit: mm

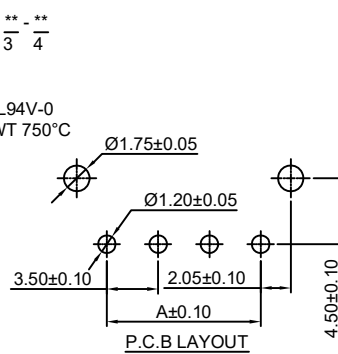
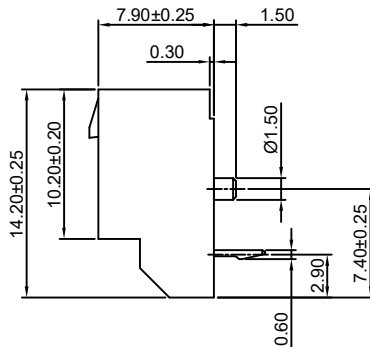
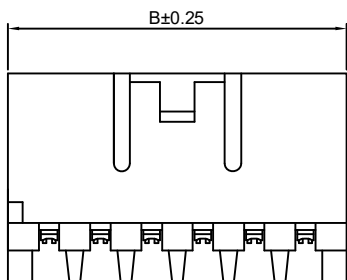
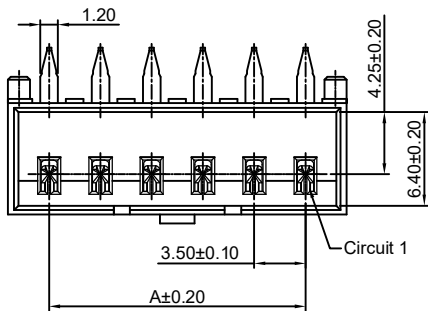
HDGC3502WR-XP

3.50mm Pitch 90° WAFER

Reference Informations:

- *Material: Pin: Brass/Tin over Nickel
Insulator: PBT+15%GF, UL94V-0
- *Mates with HDGC3502H-XP series Housing
- *Color: White

- Ordering Information:
HDGC3502WR-XP - ^{***}/₁ - ^{**}/₂ - ^{**}/₃ - ^{**}/₄
1. Part No.
 2. Material:
(blank): PBT+15%GF, UL94V-0
GWT: PBT, UL94V-0, GWT 750°C
 3. Color:
(blank): White
BK: Black
RD: Red
YL: Yellow
BL: Blue
GN: Green
PK: Pink
 4. Finish:
(blank): Tin over Nickel
G: Gold over Nickel



Ordering Information & Dimensions:

PART NO.	Dimensions	
	A	B
2P	3.50	9.10
3P	7.00	12.60
4P	10.50	16.10
5P	14.00	19.60
6P	17.50	23.10
7P	21.00	26.60
8P	24.50	30.10
9P	28.00	33.60
10P	31.50	37.10
11P	35.00	40.60
12P	38.50	44.10
13P	42.00	47.60
14P	45.50	51.10
15P	49.00	54.60

Unit: mm



HDGC3502 Series 3.50mm (.138") Pitch Wire to Board Connector

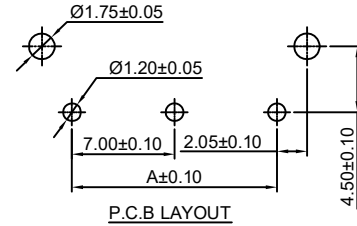
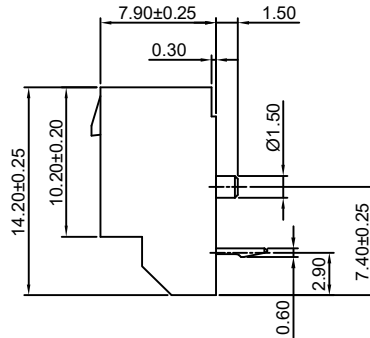
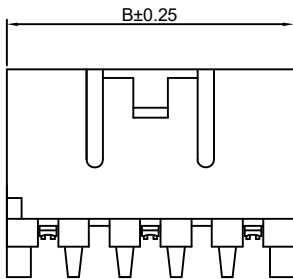
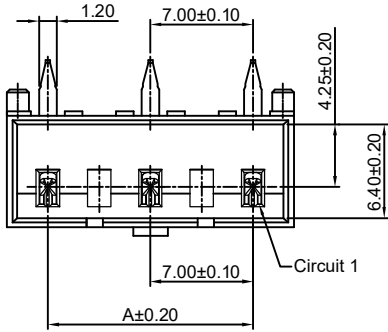
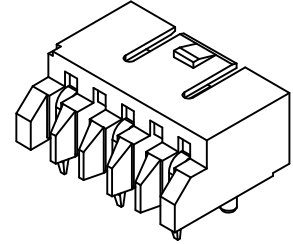
HDGC3502WR-XP-A

7.00mm Pitch 90° WAFER

Reference Informations:

- *Material: Pin: Brass/Tin over Nickel
Insulator: PBT+15%GF, UL94V-0
- *Mates with HDGC3502H-XP series Housing
- *Color: White

- Ordering Information:
HDGC3502WR-XP-A - ^{***}/₂ - ^{**}/₃ - ^{**}/₄
 1. Part No.
 2. Material:
 (blank): PBT+15%GF, UL94V-0
 GWT: PBT, UL94V-0, GWT 750°C
 3. Color:
 (blank): White
 BK: Black
 RD: Red
 YL: Yellow
 BL: Blue
 GN: Green
 PK: Pink
 4. Finish:
 (blank): Tin over Nickel
 G: Gold over Nickel



Ordering Information & Dimensions:

PART NO.	Dimensions	
	A	B
3P	7.00	12.60
5P	14.00	19.60
7P	21.00	26.60
9P	28.00	33.60
11P	35.00	40.60
13P	42.00	47.60
15P	49.00	54.60

Unit: mm