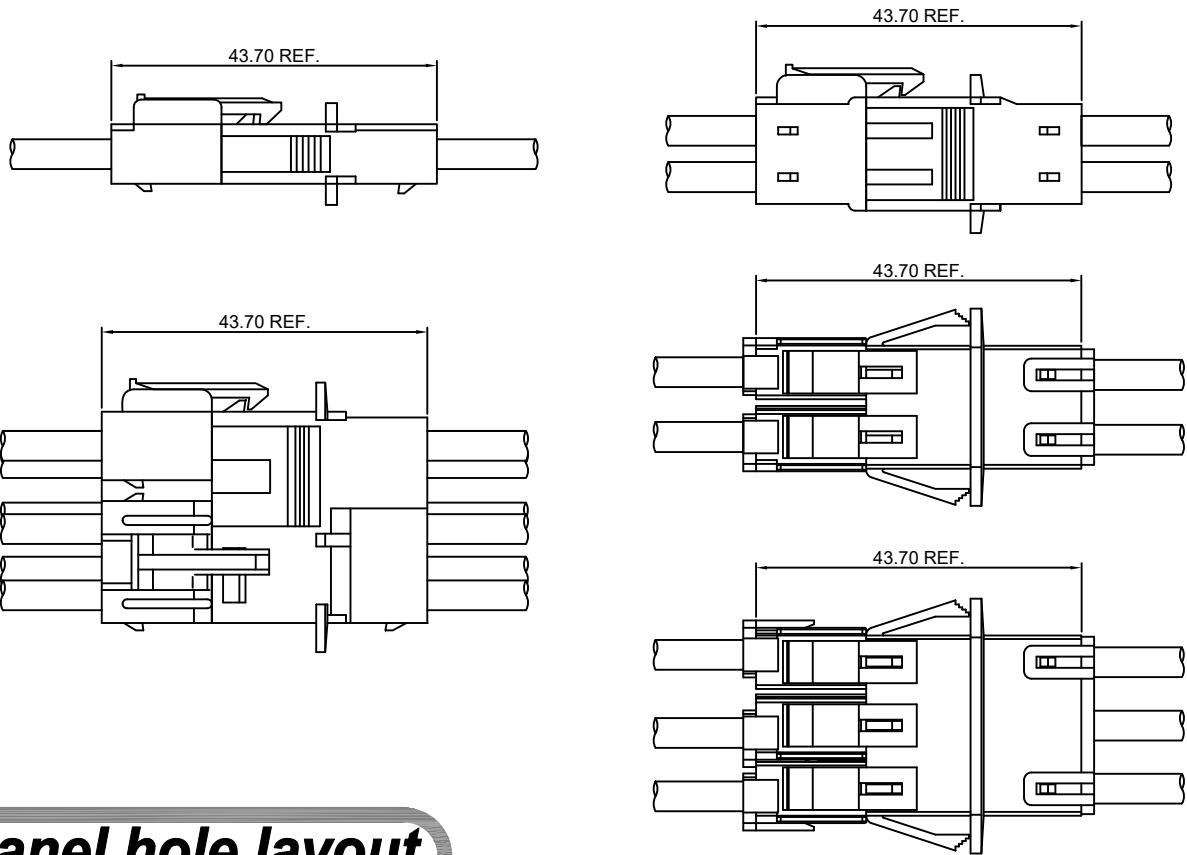


Specifications

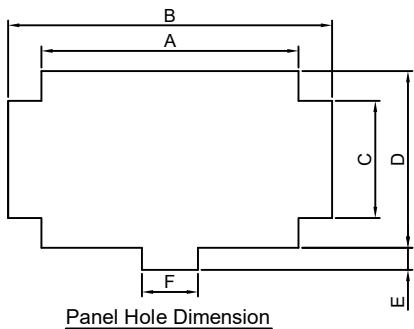
- Current rating: 15A AC,DC
- Voltage rating: 300V AC,DC
- Temperature Range: -25°C ~ +85°C
- Contact resistance: 10mΩ Max
- Insulation resistance: 1000MΩ Min
- Withstanding voltage: 1500V AC/minute
- *Compliant with RoHS and REACH*
- *Meet the HF/Halogen Free,GWT/Glow wire Test (IEC60335-1) request,need to customize*
- *Contact HDGC for details*



Assembly layout

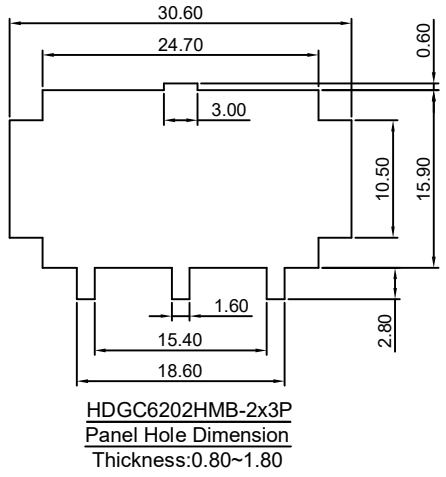
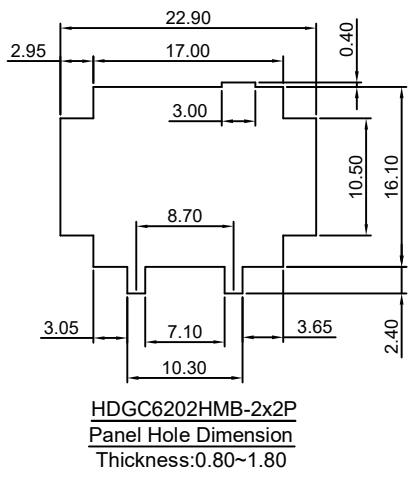


Panel hole layout



PART NO.	Dimensions						Thickness
	A	B	C	D	E	F	
HDGC6202HM-2P	13.90	19.90	5.50	8.50	2.00	5.00	1.00~2.50
HDGC6202HM-3P	22.90	28.90	5.50	9.70	2.00	5.00	1.00~1.80
HDGC6202HM-2X2P	16.90	22.80	12.90	15.70	2.00	5.00	1.00~2.50
HDGC6202HM-2X3P	23.90	29.00	10.50	15.80	2.00	5.00	1.00~2.50

Unit:mm





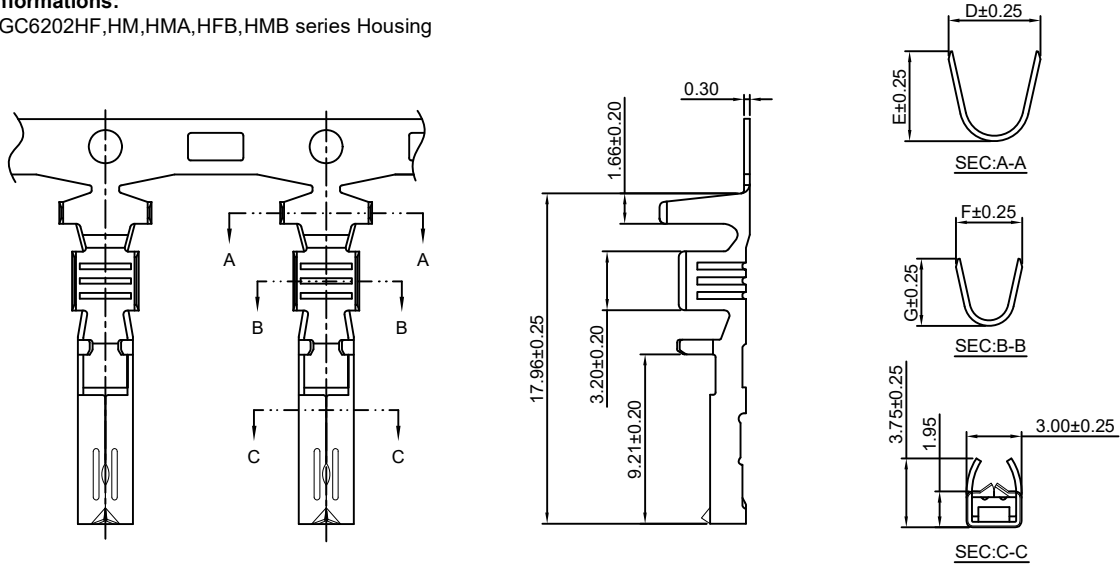
HDGC6202 Series 6.20mm (.244") - 8.90mm (.350") Pitch Wire to Wire Connector

HDGC6202F-T

6.20/7.30/7.80/8.00/8.50/8.70/8.90mm pitch Crimp Terminal

Reference Informations:

*Used in HDGC6202HF, HM, HMA, HFB, HMB series Housing



Ordering information & Specifications:

Unit:mm

Part NO.	Wire Range	Insulation O.D.	Material	Finish	D	E	F	G	Qty/reel
HDGC6202F-TP	AWG#14-#18	3.80mm(max)	Phosphor Bronze	Tin over Nickel	5.00	4.90	3.60	3.65	2,500 PCS
HDGC6202F-GP	AWG#14-#18	3.80mm(max)	Phosphor Bronze	Gold-flash	5.00	4.90	3.60	3.65	2,500 PCS
HDGC6202F-TP-L	AWG#20-#22	2.70mm(max)	Phosphor Bronze	Tin over Nickel	4.20	4.10	2.80	3.00	2,500 PCS
HDGC6202F-GP-L	AWG#20-#22	2.70mm(max)	Phosphor Bronze	Gold-flash	4.20	4.10	2.80	3.00	2,500 PCS
HDGC6202F-TP-LL	AWG#24	2.20mm(max)	Phosphor Bronze	Tin over Nickel	3.85	3.50	2.20	1.75	2,500 PCS
HDGC6202F-GP-LL	AWG#24	2.20mm(max)	Phosphor Bronze	Gold-flash	3.85	3.50	2.20	1.75	2,500 PCS

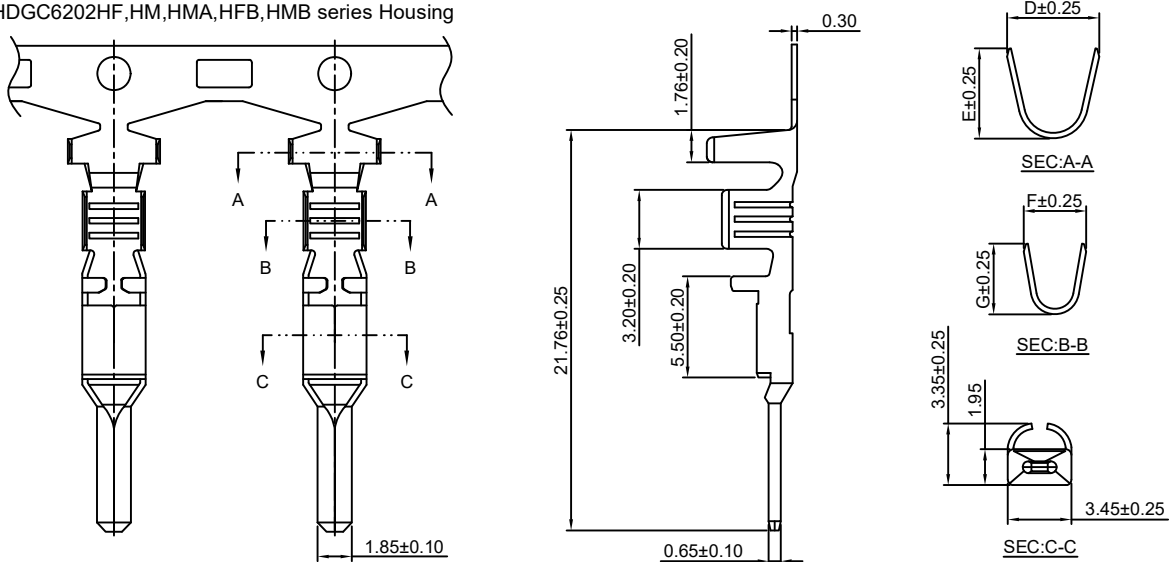
Optional Gold plating available but MOQ requested

HDGC6202M-T

6.20/7.30/7.80/8.90mm pitch Crimp Terminal

Reference Informations:

*Used in HDGC6202HF, HM, HMA, HFB, HMB series Housing



Ordering information & Specifications:

Unit:mm

Part NO.	Wire Range	Insulation O.D.	Material	Finish	D	E	F	G	Qty/reel
HDGC6202M-TP	AWG#14-#18	3.80mm(max)	Phosphor Bronze	Tin over Nickel	5.00	4.90	3.40	3.85	2,500 PCS
HDGC6202M-GP	AWG#14-#18	3.80mm(max)	Phosphor Bronze	Gold-flash	5.00	4.90	3.40	3.85	2,500 PCS
HDGC6202M-TP-L	AWG#20-#22	2.70mm(max)	Phosphor Bronze	Tin over Nickel	4.20	4.10	2.80	3.00	2,500 PCS
HDGC6202M-GP-L	AWG#20-#22	2.70mm(max)	Phosphor Bronze	Gold-flash	4.20	4.10	2.80	3.00	2,500 PCS
HDGC6202M-TP-LL	AWG#24	2.20mm(max)	Phosphor Bronze	Tin over Nickel	3.85	3.50	2.20	1.75	2,500 PCS
HDGC6202M-GP-LL	AWG#24	2.20mm(max)	Phosphor Bronze	Gold-flash	3.85	3.50	2.20	1.75	2,500 PCS

Optional Gold plating available but MOQ requested



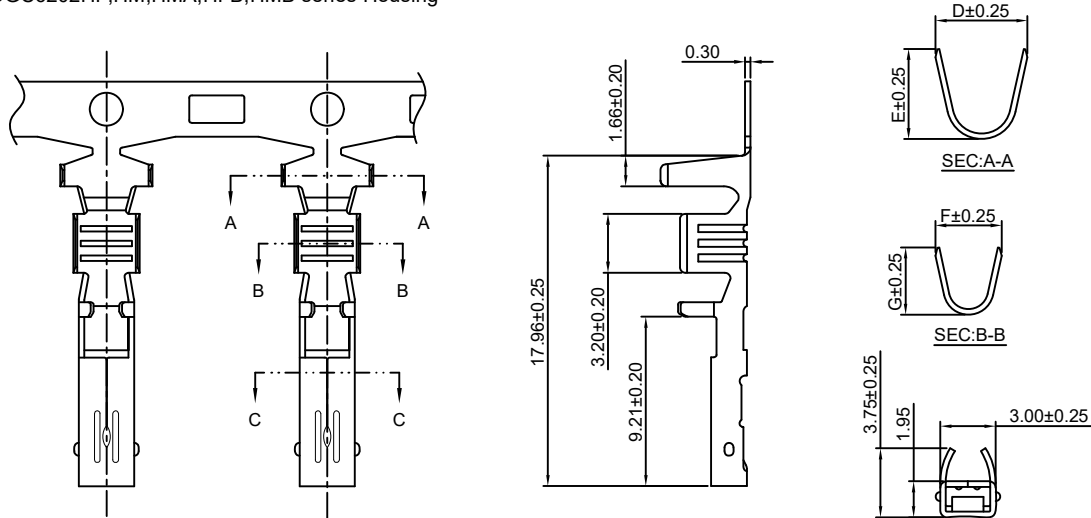
HDGC6202 Series 6.20mm (.244") - 8.90mm (.350") Pitch Wire to Wire Connector

HDGC6202FA-T

6.20/7.30/7.80/8.00/8.50/8.70/8.90mm pitch Crimp Terminal

Reference Informations:

*Used in HDGC6202HF, HM, HMA, HFB, HMB series Housing



Ordering information & Specifications:

Part NO.	Wire Range	Insulation O.D.	Material	Finish	D	E	F	G	Qty/reel
HDGC6202FA-TP	AWG#14-#18	3.80mm(max)	Phosphor Bronze	Tin over Nickel	5.00	4.90	3.60	3.65	2,500 PCS
HDGC6202FA-GP	AWG#14-#18	3.80mm(max)	Phosphor Bronze	Gold-flash	5.00	4.90	3.60	3.65	2,500 PCS
HDGC6202FA-TP-L	AWG#20-#22	2.70mm(max)	Phosphor Bronze	Tin over Nickel	4.20	4.10	2.80	3.00	2,500 PCS
HDGC6202FA-GP-L	AWG#20-#22	2.70mm(max)	Phosphor Bronze	Gold-flash	4.20	4.10	2.80	3.00	2,500 PCS
HDGC6202FA-TP-LL	AWG#24	2.20mm(max)	Phosphor Bronze	Tin over Nickel	3.85	3.50	2.20	1.75	2,500 PCS
HDGC6202FA-GP-LL	AWG#24	2.20mm(max)	Phosphor Bronze	Gold-flash	3.85	3.50	2.20	1.75	2,500 PCS

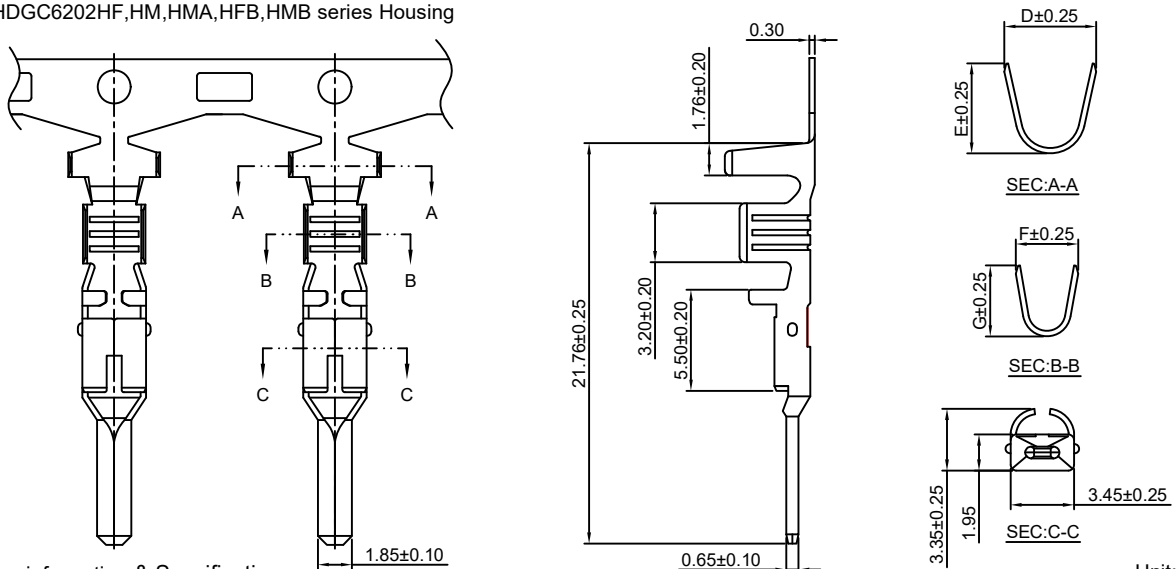
Optional Gold plating available but MOQ requested

HDGC6202MA-T

6.20/7.30/7.80/8.90mm pitch Crimp Terminal

Reference Informations:

*Used in HDGC6202HF, HM, HMA, HFB, HMB series Housing



Ordering information & Specifications:

Part NO.	Wire Range	Insulation O.D.	Material	Finish	D	E	F	G	Qty/reel
HDGC6202MA-TP	AWG#14-#18	3.80mm(max)	Phosphor Bronze	Tin over Nickel	5.00	4.90	3.40	3.85	2,500 PCS
HDGC6202MA-GP	AWG#14-#18	3.80mm(max)	Phosphor Bronze	Gold-flash	5.00	4.90	3.40	3.85	2,500 PCS
HDGC6202MA-TP-L	AWG#20-#22	2.70mm(max)	Phosphor Bronze	Tin over Nickel	4.20	4.10	2.80	3.00	2,500 PCS
HDGC6202MA-GP-L	AWG#20-#22	2.70mm(max)	Phosphor Bronze	Gold-flash	4.20	4.10	2.80	3.00	2,500 PCS
HDGC6202MA-TP-LL	AWG#24	2.20mm(max)	Phosphor Bronze	Tin over Nickel	3.85	3.50	2.20	1.75	2,500 PCS
HDGC6202MA-GP-LL	AWG#24	2.20mm(max)	Phosphor Bronze	Gold-flash	3.85	3.50	2.20	1.75	2,500 PCS

Optional Gold plating available but MOQ requested



HDGC6202 Series 6.20mm (.244") - 8.90mm (.350") Pitch Wire to Wire Connector

HDGC6202H

6.20/7.30/7.80/8.00/8.50/8.70/8.90mm Pitch Housing

Reference Informations:

- *Material:Housing:Nylon 66,UL94V-0
Retainer:Nylon 66,UL94V-2
- *Suitable HDGC6202 series Terminal
- *Color:Natural

Ordering Information:

HDGC6202H** - XP - *** - **
1 2 3

- 1.Part No.
- 2.Material:
(blank):Nylon 66,UL94V-0
GWT:Nylon 66,UL94V-0,GWT 750°C
- 3.Color:
(blank):Natural
RD:Red
YL:Yellow
BL:Blue

Ordering Information:

HDGC6202S-XP - **
1 2

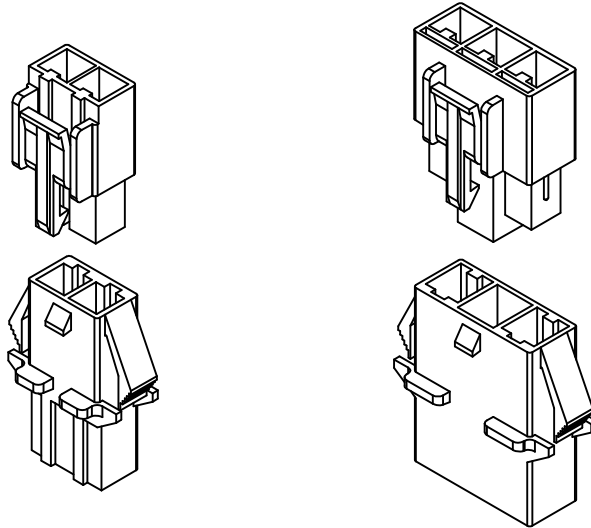
- 1.Part No.
- 2.Color:
(blank):Natural
RD:Red
YL:Yellow
BL:Blue

HDGC6202HF	HDGC6202HM<HMA>	Retainer
<p><u>HDGC6202HF-1P</u> *Suitable Terminal: HDGC6202FA-T</p>	<p><u>HDGC6202HM-1P</u> *Suitable Terminal: HDGC6202MA-T</p>	<p><u>HDGC6202S-1P-**</u></p>
<p><u>HDGC6202HF-2P</u> *Suitable Terminal: HDGC6202FA-T</p>	<p><u>HDGC6202HM-2P</u> *Suitable Terminal: HDGC6202MA-T</p> <p><u>HDGC6202HMA-2P</u> *Suitable Terminal: HDGC6202MA-T</p>	<p><u>HDGC6202S-2P-**</u></p>



HDGC6202H

6.20/7.30/7.80/8.00/8.50/8.70/8.90mm Pitch Housing

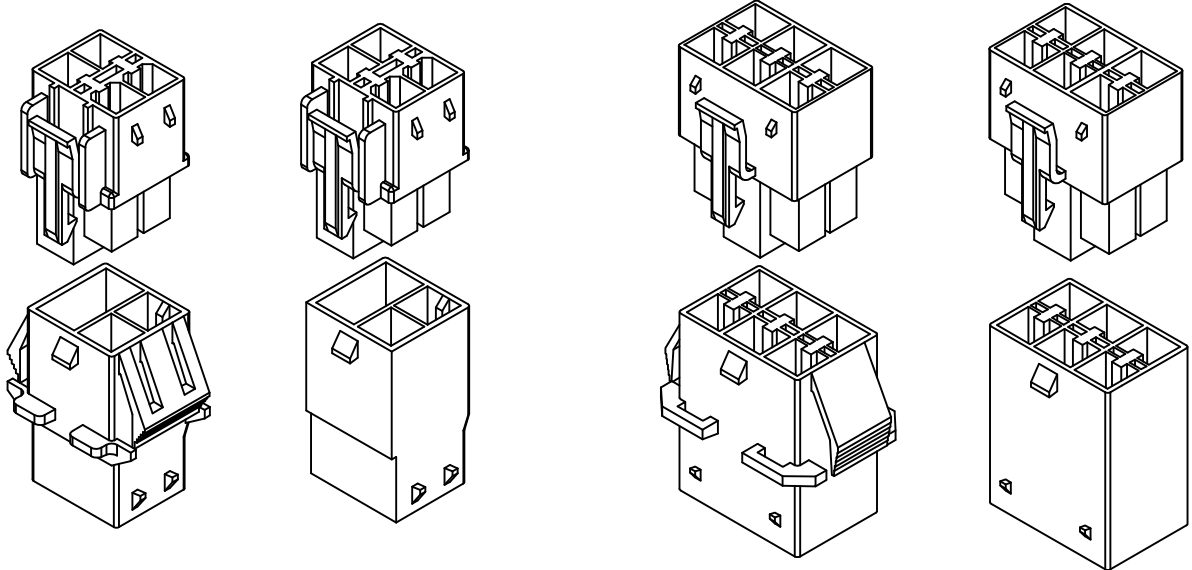


HDGC6202HF	HDGC6202HM<HMA>	Retainer
<p>HDGC6202HF-3P *Suitable Terminal: HDGC6202FA-T(Circuit1) HDGC6202MA-T(Circuit2) HDGC6202F-T(Circuit3)</p>	<p>HDGC6202HM-3P *Suitable Terminal: HDGC6202MA-T(Circuit1) HDGC6202FA-T(Circuit2) HDGC6202M-T(Circuit3)</p> <p>HDGC6202HMA-3P *Suitable Terminal: HDGC6202MA-T(Circuit1) HDGC6202FA-T(Circuit2) HDGC6202M-T(Circuit3)</p>	<p>HDGC6202S-3P-**</p>



HDGC6202H

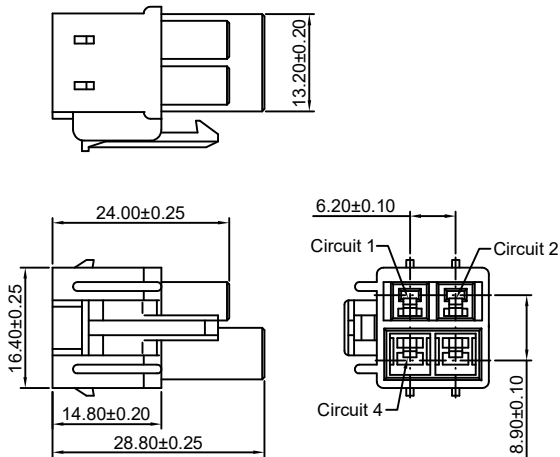
6.20/7.30/7.80/8.00/8.50/8.70/8.90mm Pitch Housing



HDGC6202HF

HDGC6202HF-2x2P

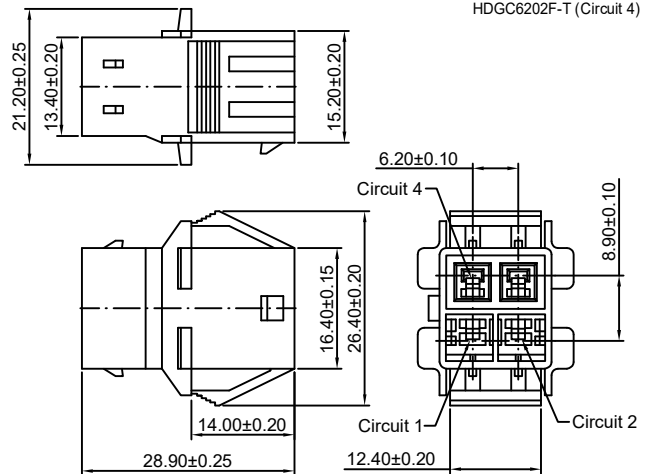
*Suitable Terminal: HDGC6202FA-T (Circuit 1)
HDGC6202F-T (Circuit 2)
HDGC6202MA-T (Circuit 3)
HDGC6202M-T (Circuit 4)



HDGC6202HM<HMA>

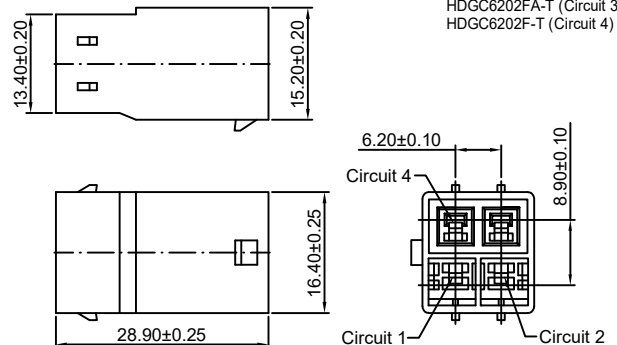
HDGC6202HM-2x2P

*Suitable Terminal: HDGC6202MA-T (Circuit 1)
HDGC6202M-T (Circuit 2)
HDGC6202FA-T (Circuit 3)
HDGC6202F-T (Circuit 4)



HDGC6202HMA-2x2P

*Suitable Terminal: HDGC6202MA-T (Circuit 1)
HDGC6202M-T (Circuit 2)
HDGC6202FA-T (Circuit 3)
HDGC6202F-T (Circuit 4)





HDGC6202H

6.20/7.30/7.80/8.00/8.50/8.70/8.90mm Pitch Housing

HDGC6202HF	HDGC6202HM<HMA>
<p><u>HDGC6202HF-2x3P</u> *Suitable Terminal: HDGC6202MA-T (Circuit 2.5) HDGC6202FA-T (Circuit 3.4) HDGC6202F-T (Circuit 1.6)</p> <p>Side view dimensions: 15.30 ± 0.20, 12.90 ± 0.20</p> <p>Top view dimensions: 28.80 ± 0.25, 22.50 ± 0.25, 14.80 ± 0.20, 24.00 ± 0.25</p> <p>Bottom view dimensions: 7.80 ± 0.10, 7.30 ± 0.10, 7.30 ± 0.10</p> <p>Circuit labels: Circuit 1, Circuit 3, Circuit 6</p>	<p><u>HDGC6202HM-2x3P</u> *Suitable Terminal: HDGC6202FA-T (Circuit 2.5) HDGC6202MA-T (Circuit 3.4) HDGC6202M-T (Circuit 1.6)</p> <p>Side view dimensions: 21.10 ± 0.25, 15.30 ± 0.20</p> <p>Top view dimensions: 29.10 ± 0.25, 22.50 ± 0.20, 32.50 ± 0.25, 14.00 ± 0.20, 28.90 ± 0.25</p> <p>Bottom view dimensions: 7.80 ± 0.10, 7.30 ± 0.10, 7.30 ± 0.10</p> <p>Circuit labels: Circuit 1, Circuit 3, Circuit 6</p>
	<p><u>HDGC6202HMA-2x3P</u> *Suitable Terminal: HDGC6202FA-T (Circuit 2.5) HDGC6202MA-T (Circuit 3.4) HDGC6202M-T (Circuit 1.6)</p> <p>Side view dimension: 15.30 ± 0.20</p> <p>Bottom view dimensions: 28.90 ± 0.25, 22.50 ± 0.25</p> <p>Circuit labels: Circuit 1, Circuit 3, Circuit 6</p>

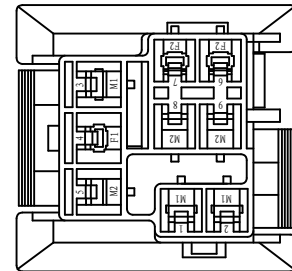
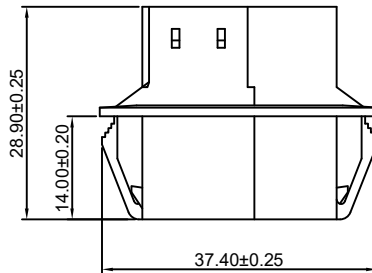
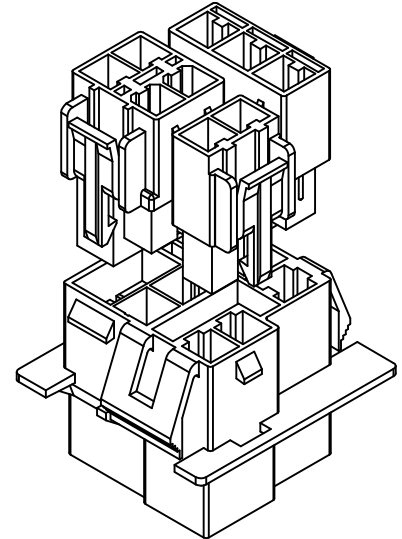
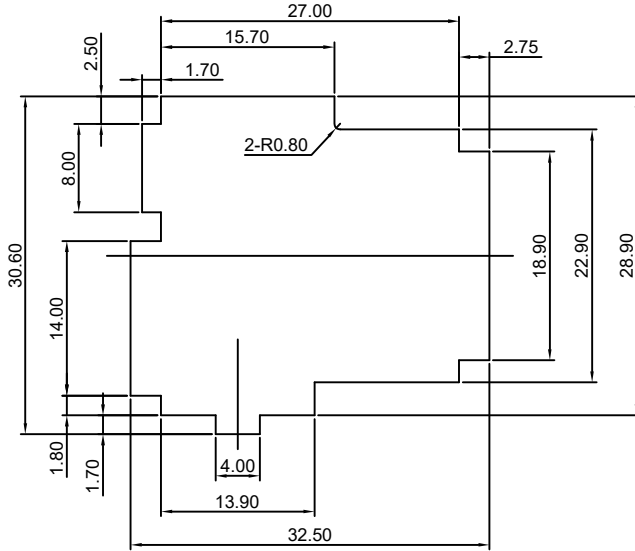


HDGC6202H

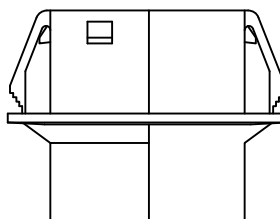
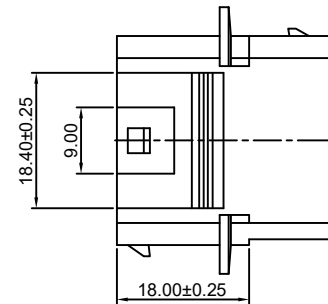
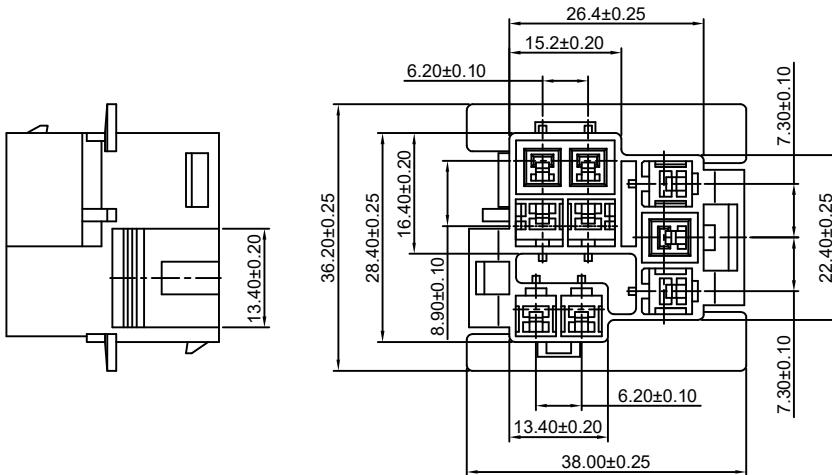
6.20/7.30/7.80/8.00/8.50/8.70/8.90mm Pitch Housing

HDGC6202HM

HDGC6202HM-9P



M1: MALE TERMINAL (HDGC6202MA-T)
M2: MALE TERMINAL (HDGC6202M-T)
F1: MALE TERMINAL (HDGC6202FA-T)





HDGC6202H

6.20/7.30/7.80/8.00/8.50/8.70/8.90mm Pitch Housing

HDGC6202HFB	HDGC6202HMB
<p><u>HDGC6202HFB-2P-L</u> *Suitable Terminal: HDGC6202FA-T</p>	<p><u>HDGC6202HMB-2x2P</u> *Suitable Terminal: HDGC6202MA-T (Circuit 1) HDGC6202M-T (Circuit 2) HDGC6202FA-T (Circuit 3) HDGC6202F-T (Circuit 4)</p>
<p><u>HDGC6202HFB-2P-RH</u> *Suitable Terminal: HDGC6202MA-T</p>	<p><u>HDGC6202HMB-2x3P</u> *Suitable Terminal: HDGC6202FA-T (Circuit 2.5) HDGC6202MA-T (Circuit 3.4) HDGC6202M-T (Circuit 1.6)</p>
<p><u>HDGC6202HFB-2P-R</u> *Suitable Terminal: HDGC6202F-T</p>	



HDGC6202 Series 6.20mm (.244") - 8.90mm (.350") Pitch Wire to Wire Connector

HDGC6202SA

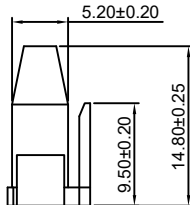
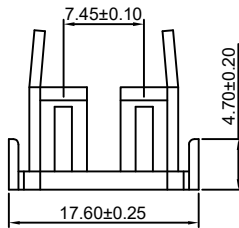
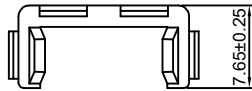
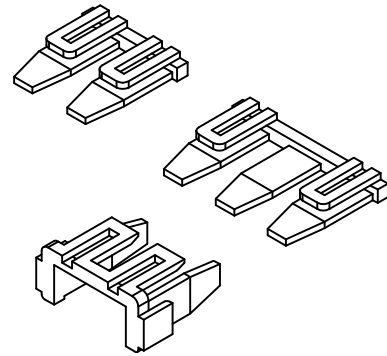
6.20/7.30/7.80/8.00/8.50/8.70/8.90mm Pitch Retainer

Reference Informations:

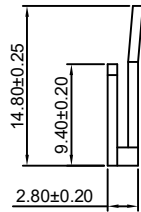
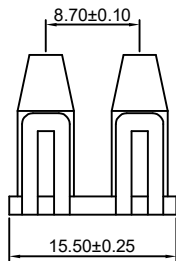
- *Material: Nylon 66, UL94V-0
- *Suitable HDGC6202 series Housing
- *Color: Natural

Ordering Information:
HDGC6202SA-XP - **
 1 2

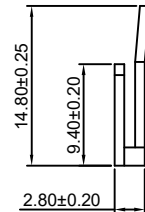
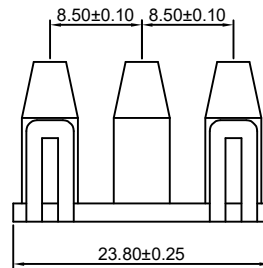
- 1. Part No.
- 2. Color:
 (blank): Natural
 RD: Red
 YL: Yellow
 BL: Blue



HDGC6202SA-2P-L



HDGC6202SA-2P



HDGC6202SA-3P

Unit:mm