

Specifications

Current rating:3A AC,DC

Voltage rating:250V AC,DC

Temperature range:-25°C~+85°C

Contact resistance:10mΩ Max.

Insulation resistance:1000MΩ Min.

Withstanding voltage:800V AC/minute

Compliant with RoHS and REACH

*Meet the HF/Halogen Free,GWT/Glow wire
Test (IEC60335-1) request,need to
customize*

Contact HDGC for details



HDGC6525 SERIES



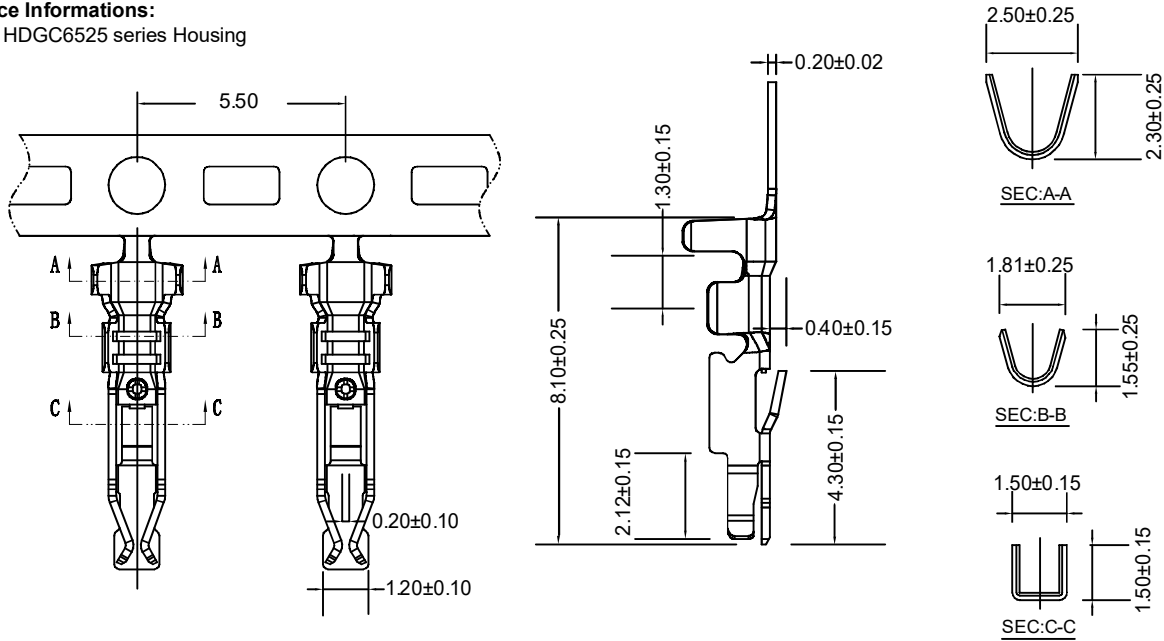
HDGC6525 Series 6.50mm (.256") Pitch Wire to Board and Wire to Wire Connector

HDGC6525-T

6.50mm pitch Crimp Terminal

Reference Informations:

*Used in HDGC6525 series Housing



Ordering information & Specifications:

Unit:mm

Part NO.	Wire Range	Insulation O.D.	Material	Finish	Qty/reel
HDGC6525-TP	AWG#24-#28	1.60mm(max)	Phosphor Bronze	Tin over Nickel	15,000 PCS
HDGC6525-GP	AWG#24-#28	1.60mm(max)	Phosphor Bronze	Gold over Nickel	15,000 PCS

Optional Gold plating available but MOQ requested

HDGC6525H

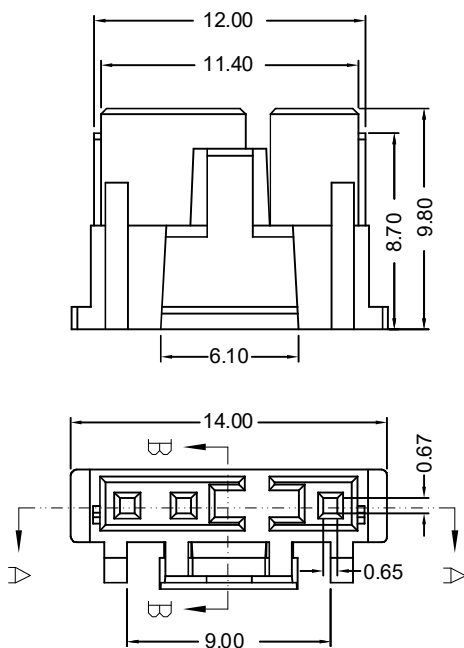
6.50mm pitch Housing

Reference Informations:

*Material:Nylon 66,UL94V-0

*Suitable HDGC6525-T series Terminal

*Color:White



Ordering Information:

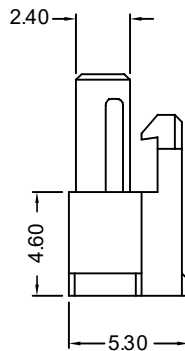
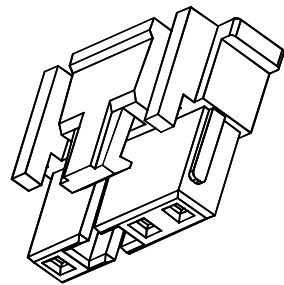
HDGC6525H-***
1 2

1.Part No.

2.Material:

(blank):Nylon 66,UL94V-0

GWT:Nylon 66,UL94V-0,GWT 750°C



Unit: mm

Tel : 0755-27129737/27070830 Fax : 0755-29940187 <http://www.szhdc.com> hdgc01@szhdgc.com